

*pulsar* DTS-i  
220

 **BAJAJ**  
*Distinctly Ahead*

*pulsar* DTS-i  
220

**Bajaj Auto Limited**  
Akurdi Pune 411 035 India  
Tel +91 20 27472851  
Fax +91 20 27407385  
[www.bajajauto.com](http://www.bajajauto.com)

# Spare Parts Catalogue

(For 220 S & F)



We have pleasure in presenting the Spare Parts Catalogue for '**Pulsar 220 for full Fairing (F) & Small Fairing (S)**' Models. This catalogue has been specially designed to assist you in selecting the correct parts for procurement to maintain 100% availability.

The Bajaj spares are subjected to the stringent quality control standards to ensure longer life of the vehicle. It is therefore necessary that only the Genuine Bajaj Spares are used.

In a continual effort to improve Performance and Efficiency of the vehicles, Specifications, Diagrams, Illustrations and Part Numbers can change without notice. Consequently, the description in this Spare Parts Catalogue cannot therefore be final and binding on us.

The modifications / alterations which are carried out after the issue of this catalogue, will be conveyed to you through our Service Circulars. You are requested to make necessary corrections in the Parts Catalogue as per the circulars so as to keep your catalogue up-to-date. This will ensure the appropriate and speedy delivery of the Spare Parts as the order placed will bear the latest part numbers.

In case, if you need any technical assistance contact the concerned Regional Office or write to us on the following address :

**Bajaj Auto Limited**  
**Service Department - Probiking**  
Akurdi, Pune 411 035 India

All information contained in this manual is based on the latest product information at the time of publication. Bajaj Auto Limited accepts no liability for any inaccuracies or omissions in this publication, although every possible care has been taken to make it as complete and accurate as possible. All procedures and specifications subject to change without prior notice. The right is reserved to make such changes at any time without prior notice and without incurring an obligation to make such changes to product manufactured previously. Contact authorized Bajaj Dealer for the latest information on product improvements incorporated after this manual was issued.

**DOC. NO.: 71111247**

**REV. 00 FEB. 11**

- 1. How to Read the Catalogue :** Open the catalogue and from the pictorial index locate the group in which the part you want to find is present. Turn over to the concerned page number (as given by pictorial index). Now find out the figure of the part you wish to order. Write down the part number against that particular figure number from the text.

In case, if you have the part number and you need the other details, the part index can be used. The part index (at the end of the catalogue) will give you the figure and page number of the part you wish to order.

- 2. How to Order Spare Parts :** The part number and the description of the part required should be invariably mentioned in the order as per the catalogue text.

The latest part number as conveyed through our service circulars should only appear on the order. In case of ordering painted components, colour shade of the components should be mentioned.

The quantity shown against the part number is the quantity per vehicle for that group so that particular quantity should be multiplied by the number of sets required.

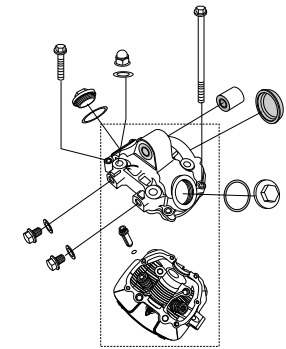
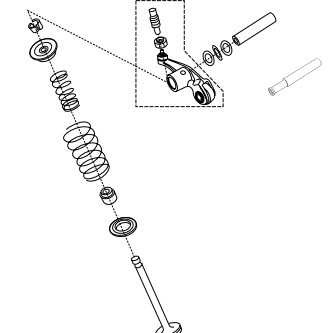
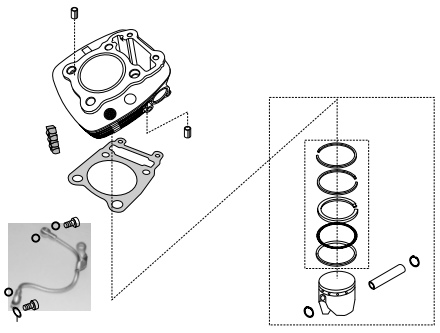
- 3. Part Number System:** We have used 8 digit system for part numbers. The model or hardware item is indicated by first two digits or alphanumeric, the next two or four digits indicate main group and the last four or two digits indicate serial number in main group or serial number or subgroup of fastener respectively. Thus the part numbers will be indicated by 2-2-4 or 2-4-2 digit system. Understanding this system will enable you to identify the spare parts easily.

- 4. Abbreviations :** The following abbreviations are used in this catalogue.

assly.	Assembly	V	Volts
N.I.	Not illustrated	W	Watts
C'case	Crankcase	accl.	Accelerator
Cyl	Cylinder	Comp.	Complete
o/s.	Over size	Fr	Front
Std.	Standard	L	Length
A/t.	Alternate	Rr	Rear
R.H.	Right hand	Hex.	Hexagonal
L.H.	Left hand	AR	As required

No.	Description	Page No.
1	Cover Cylinder Head	1
2	Cylinder Head	2
3	Valve	3
4	Camshaft / Tensioner	4
5	Cylinder & Piston	5
6	Crankshaft	6
7	Balancer & Balancer Idler Gear	7
8	Transmission	8&9
9	Change Drum/ Shift Fork	10
10	Gear Change Mechanism	11
11	Engine Assly & Crankcase RH	12
12	Crankcase LH	13&14
13	Cover RH	15&16
14	Cover Magneto	17
15	Clutch	18&19
16	Carburetor	20
17	Oil Coller Assly	21
18	Air Cleaner Comp.	22
19	Silencer Assly	23
20	Seat Assly. / Seat Lock	24
21	Oil Pump	25
22	Magneto/C.D.I./H.T.Coil	26&27
23	Starter Assly	28
24	Engine Mountings	29
25	Frame & Frame fitting	30
26	Swing Arm / Rear Shock Absorber	31
27	Rider Foot rest	32
28	Pillion Foot rest / Holder	33
29	Mudguard Front & Rear	34
30	Stand Assembly	35
31	Tyre/ Tube /Rim	36
32	Front Hub	37
33	Front Master Cylinder	38
34	Front Disc Brake	39
35	Rear Hub	40&41

No.	Description	Page No.
36	Rear Disc Brake	42
37	Rear Master Cylinder	43
38	Rear Caliper	44
39	Rear Brake Pedal	45
40	Handle Bar	46&47
41	Front Fork	48&49
42	Painted Parts & Decals (For S)	50-51
43	Painted Parts & Decals (Exl. S)	52-53
44	Cap Tank & Gauge Fuel	54
45	Fitting - Petrol Tank, Side Cover & Cover seat	55
46	Meter Assly.	56
47	Control Cables	57
48	Chain Case	58
49	Head Lamp & Fairing	59
50	Indicator Light Assly.	60
51	Fearing & Mounting	61&62
52	Tail Lamp Assly / Front & Rear No. Plate	63
53	Electrical Equipments	64&65
54	Tool Kit	66
55	Accessories / Grab Handle	67
	Kits List	68&70
	Amendment Sheet(Parts Added)	71
	Amendment Sheet(Parts Deleted)	72
	Part Index	73

<p>PLATE NO. : 1 COVER CYLINDER HEAD</p>	<p>PAGE NO.: 1</p>
	
<p>PLATE NO. : 3 VALVE</p>	<p>PAGE NO.: 3</p>
	
<p>PLATE NO. : 5 CYLINDER AND PISTON</p>	<p>PAGE NO.: 5</p>
	

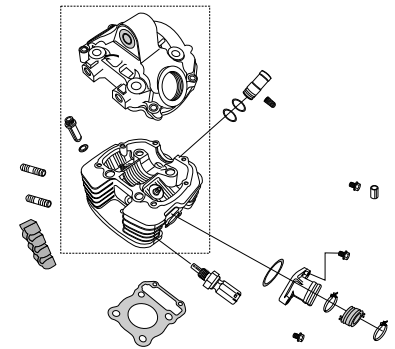
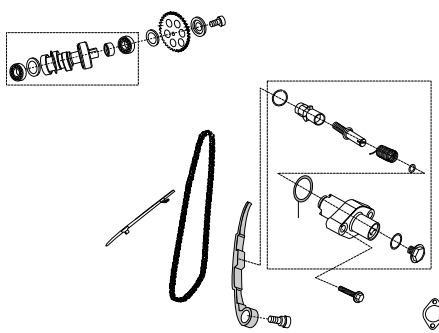
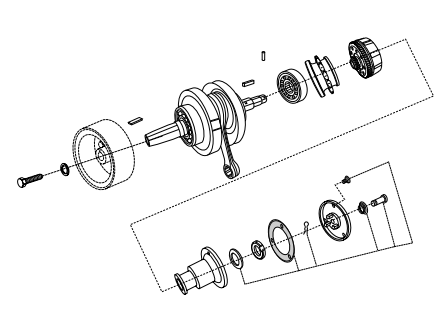
<p>PLATE NO. : 2 CYLINDER HEAD</p>	<p>PAGE NO.: 2</p>
	
<p>PLATE NO. : 4 CAMSHAFT / TENSIONER</p>	<p>PAGE NO.: 4</p>
	
<p>PLATE NO. : 6 CARNKSHAFT</p>	<p>PAGE NO.: 6</p>
	

PLATE NO. : 7  
BALANCER AND BALANCER  
IDLER GEAR

PAGE NO.:

7

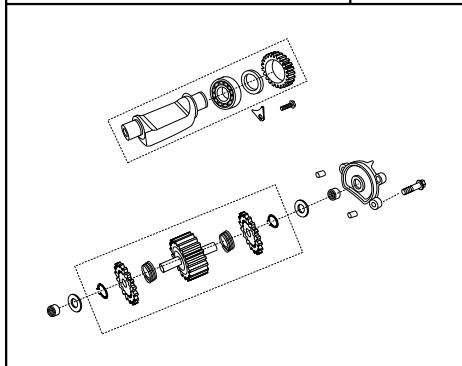


PLATE NO. : 9  
CHANGE DRUM / SHIFT FORK

PAGE NO.:

10

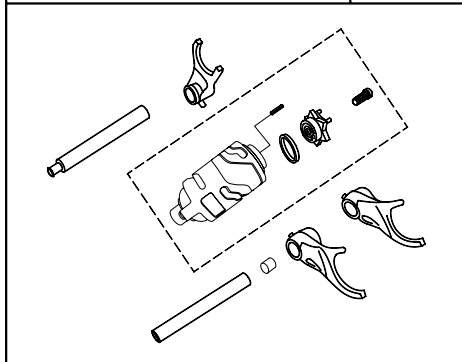


PLATE NO. : 11  
ENGINE ASSLY. & CRANKCASE RH

PAGE NO.:

12



PLATE NO. : 8  
TRANSMISSION

PAGE NO.:

8 & 9

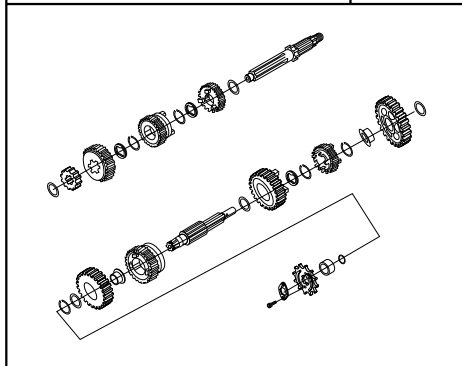


PLATE NO. : 10  
GEAR CHANGE MECHANISM

PAGE NO.:

11

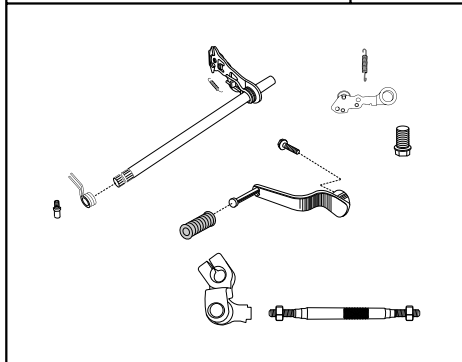


PLATE NO. : 12  
CRANKCASE LH

PAGE NO.:

13 & 14

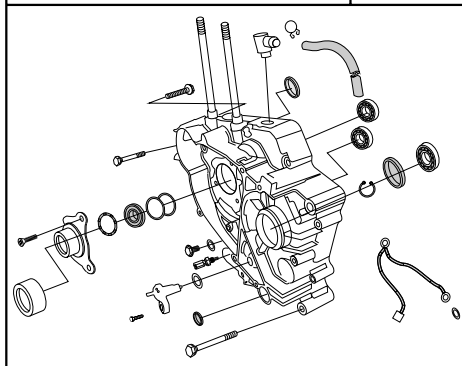


PLATE NO. : 13  
COVER RH

PAGE NO.:

15 & 16

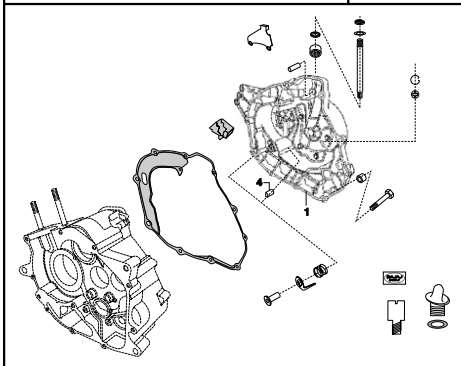


PLATE NO. : 15  
CLUTCH

PAGE NO.:

18 & 19

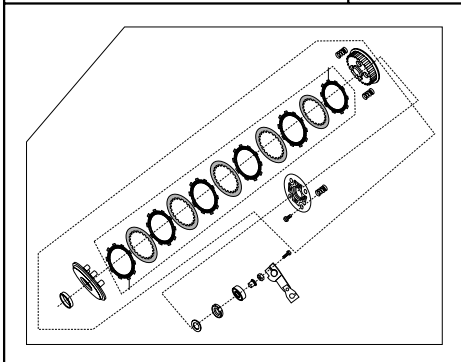


PLATE NO. : 17  
OIL COOLER ASSLY.

PAGE NO.:

21

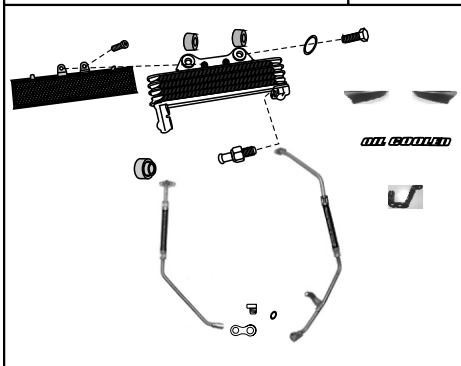


PLATE NO. : 14  
COVER MAGNETO

PAGE NO.:

17

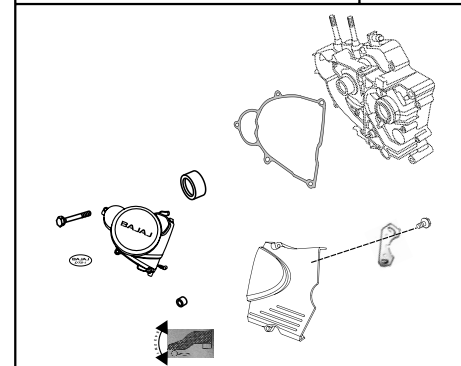


PLATE NO. : 16  
CARBURETTOR

PAGE NO.:

20

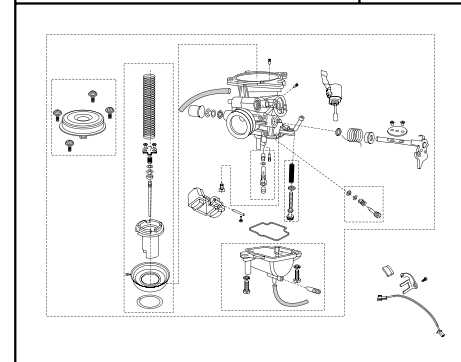


PLATE NO. : 18  
AIR CLEANER COMP.

PAGE NO.:

22

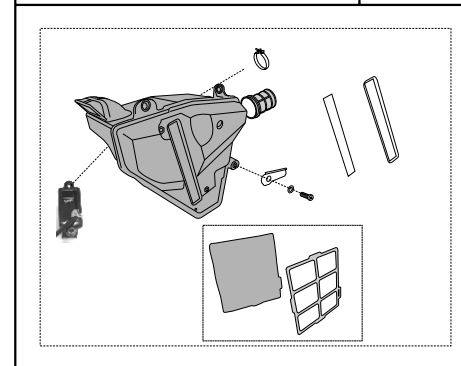


PLATE NO. : 19	PAGE NO.:
SILENCER ASSLY.	23

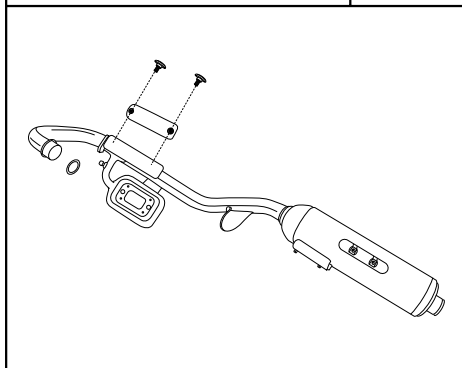


PLATE NO. : 21	PAGE NO.:
OIL PUMP	25

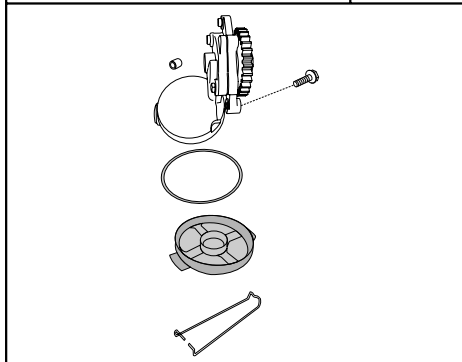


PLATE NO. : 23	PAGE NO.:
STARTER ASSLY.	28

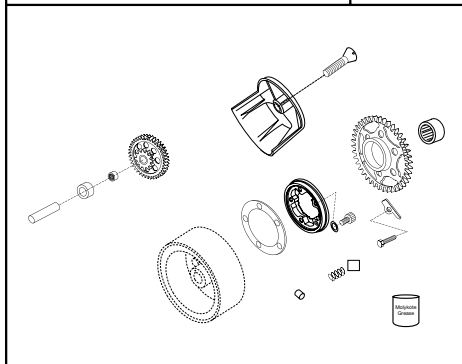


PLATE NO. : 20	PAGE NO.:
SEAT ASSLY. / SEAT LOCK	24

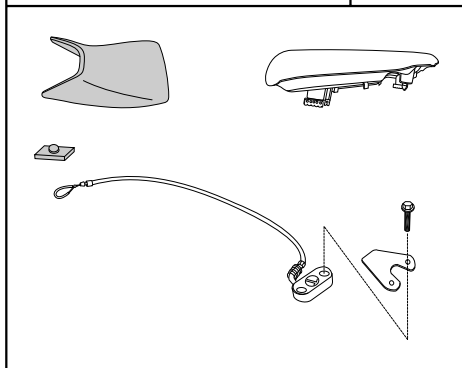


PLATE NO. : 22	PAGE NO.:
MAGNETO / C.D.I./H.T. COIL	26 & 27

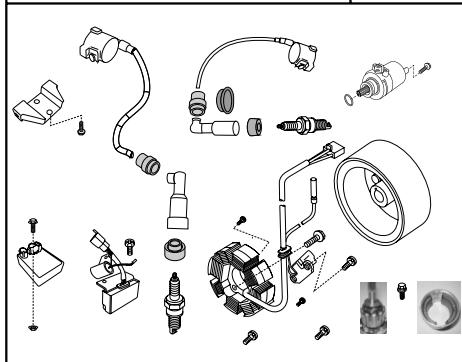


PLATE NO. : 24	PAGE NO.:
ENGINE MOUNTINGS	29

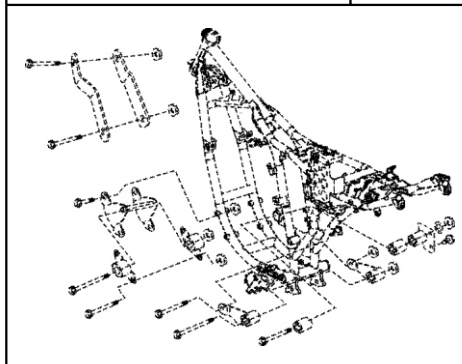


PLATE NO. : 25	PAGE NO.:
FRAME & FRAME FITTINGS	30

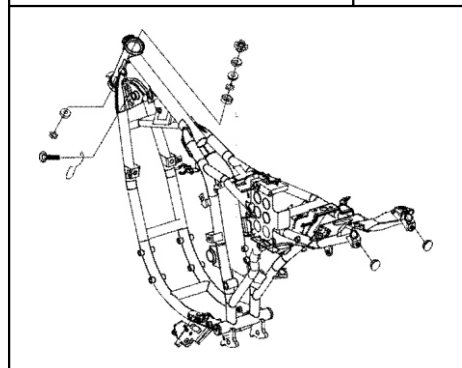


PLATE NO. : 27	PAGE NO.:
RIDDER FOOT REST	32

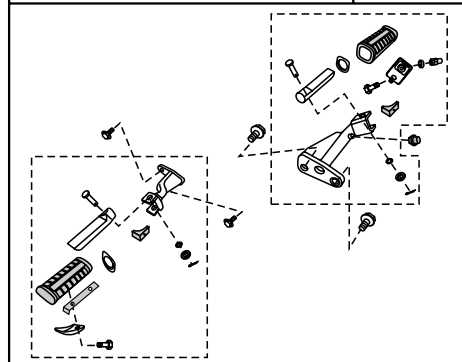


PLATE NO. : 29	PAGE NO.:
MUDGUARD FRONT & REAR	34

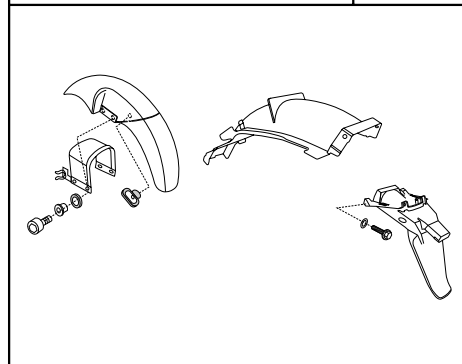


PLATE NO. : 26	PAGE NO.:
SWING ARM / REAR SHOCK ABSORBER	31

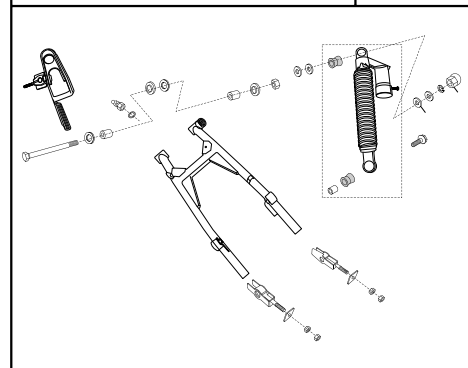


PLATE NO. : 28	PAGE NO.:
PILLION FOOT REST / HOLDER	33

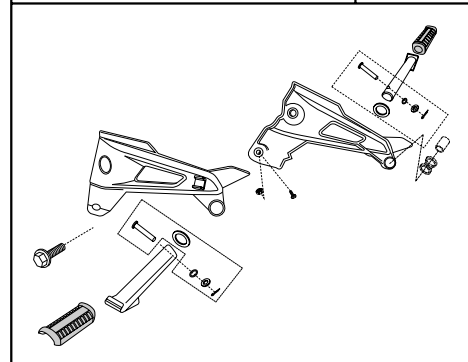


PLATE NO. : 30	PAGE NO.:
STAND ASSEMBLY	35

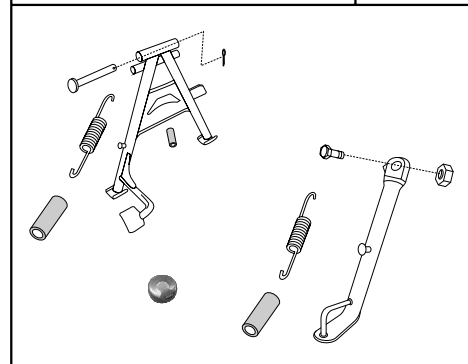


PLATE NO. : 31 TYRE / TUBE / RIM	PAGE NO.: 36
PLATE NO. : 33 FRONT MASTER CYLINDER	PAGE NO.: 38
PLATE NO. : 35 REAR HUB	PAGE NO.: 40-41

PLATE NO. : 32 FRONT HUB	PAGE NO.: 37
PLATE NO. : 34 FRONT DISC BRAKE	PAGE NO.: 39
PLATE NO. : 36 REAR DISC BRAKE	PAGE NO.: 42

PLATE NO. : 37 REAR MASTER CYLINDER	PAGE NO.: 43
PLATE NO. : 39 REAR BRAKE PEDAL	PAGE NO.: 45
PLATE NO. : 41 FRONT FORK	PAGE NO.: 48 & 49

PLATE NO. : 38 REAR CALIPER	PAGE NO.: 44
PLATE NO. : 40 HANDLE BAR	PAGE NO.: 46 & 47
PLATE NO. : 42 PAINTED PARTS & DECALS (FOR F)	PAGE NO.: 50 - 52

PICTORIAL INDEX



PLATE NO. : 43  
CAP TANK AND GAUGE FUEL  
(EXCLUSIVE FOR S)

PAGE NO.:  
53

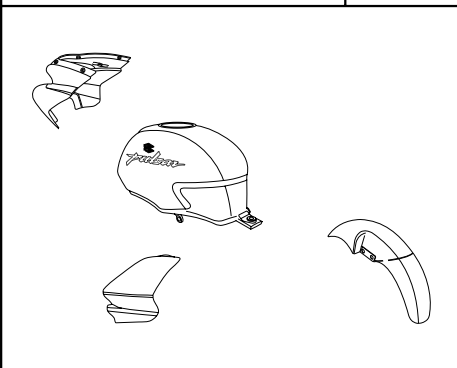


PLATE NO. : 45  
FITTING P. TANK, SIDE COVER &  
SEAT COVER

PAGE NO.:  
55

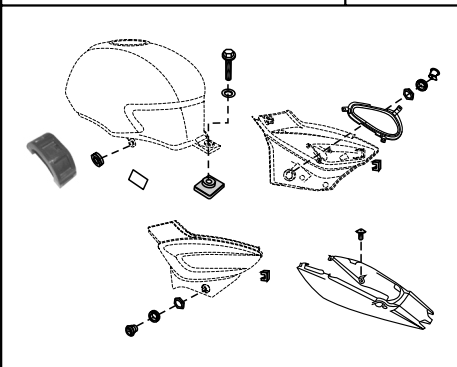


PLATE NO. : 47  
CONTROL CABLES

PAGE NO.:  
57

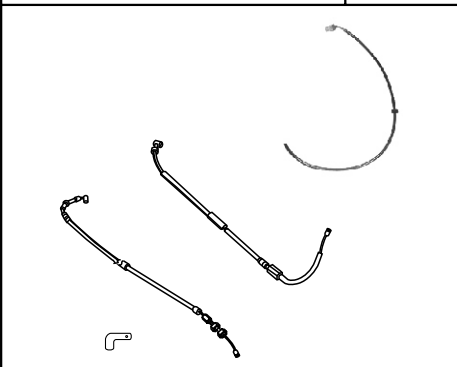


PLATE NO. : 44  
FITTING P. TANK, SIDE COVER AND  
COVER SEAT

PAGE NO.:  
54

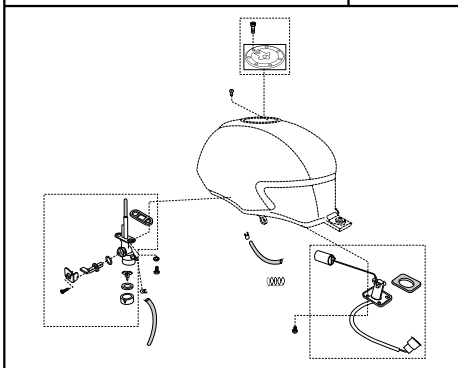


PLATE NO. : 46  
METER ASSEMBLY

PAGE NO.:  
56

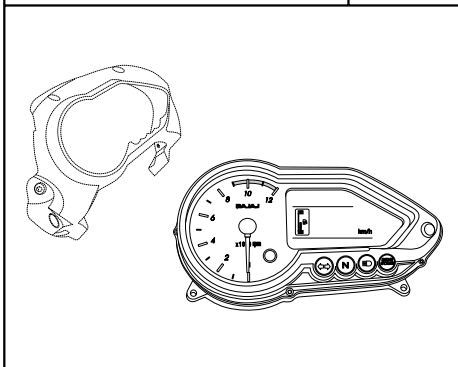
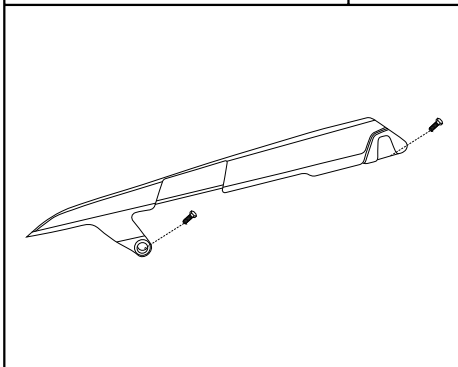


PLATE NO. : 48  
CHAIN COVER

PAGE NO.:  
58



PICTORIAL INDEX



PLATE NO. : 49  
HEAD LAMP & FAIRING

PAGE NO.:  
59

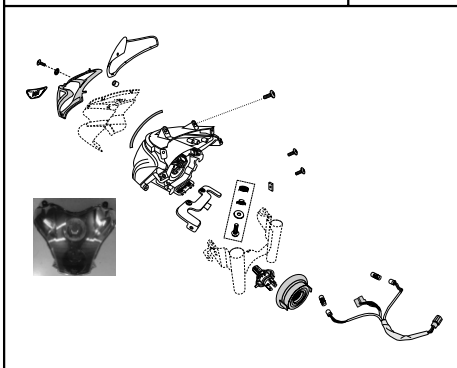


PLATE NO. : 51  
FAIRING & MOUNTING (FOR S/F ONLY)

PAGE NO.:  
61-62

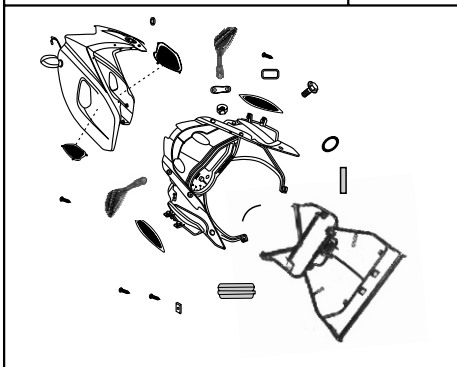


PLATE NO. : 53  
ELECTRICAL EQUIPMENTS

PAGE NO.:  
64-65

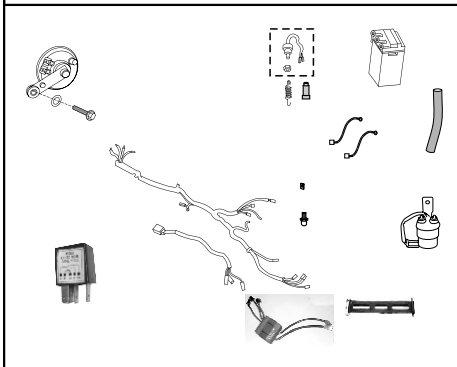


PLATE NO. : 50  
INDICATOR LIGHTS ASSLY.

PAGE NO.:  
60

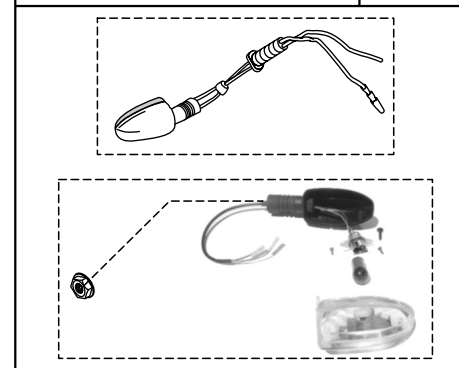


PLATE NO. : 52  
TAIL LAMP ASSEMBLY /  
FRONT & REAR NUMBER PLATE

PAGE NO.:  
63

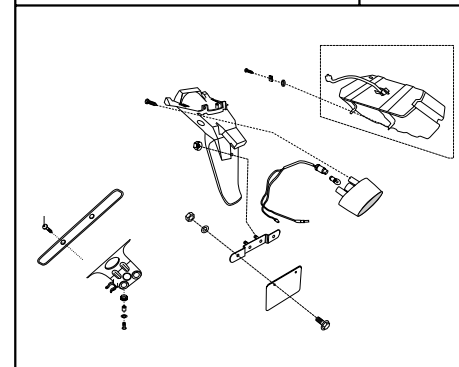
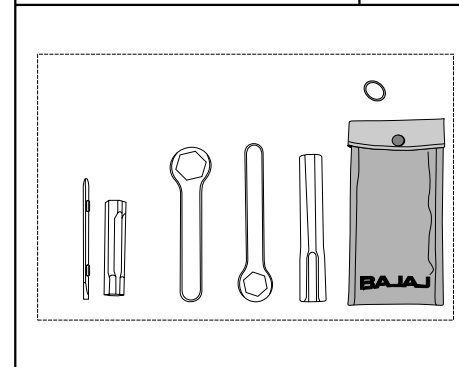
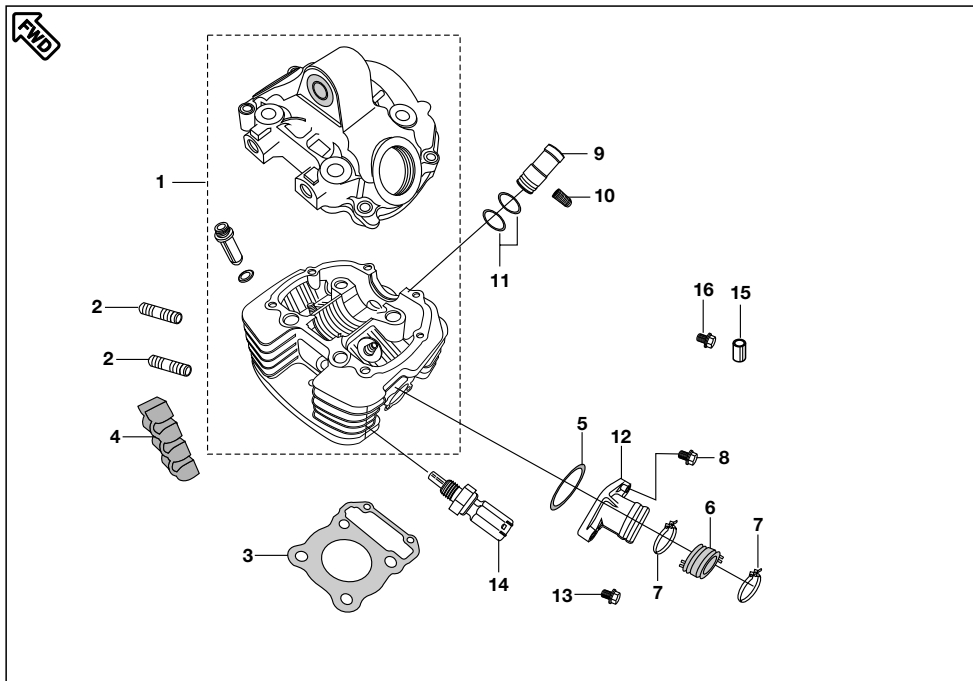


PLATE NO. : 54  
TOOL KIT

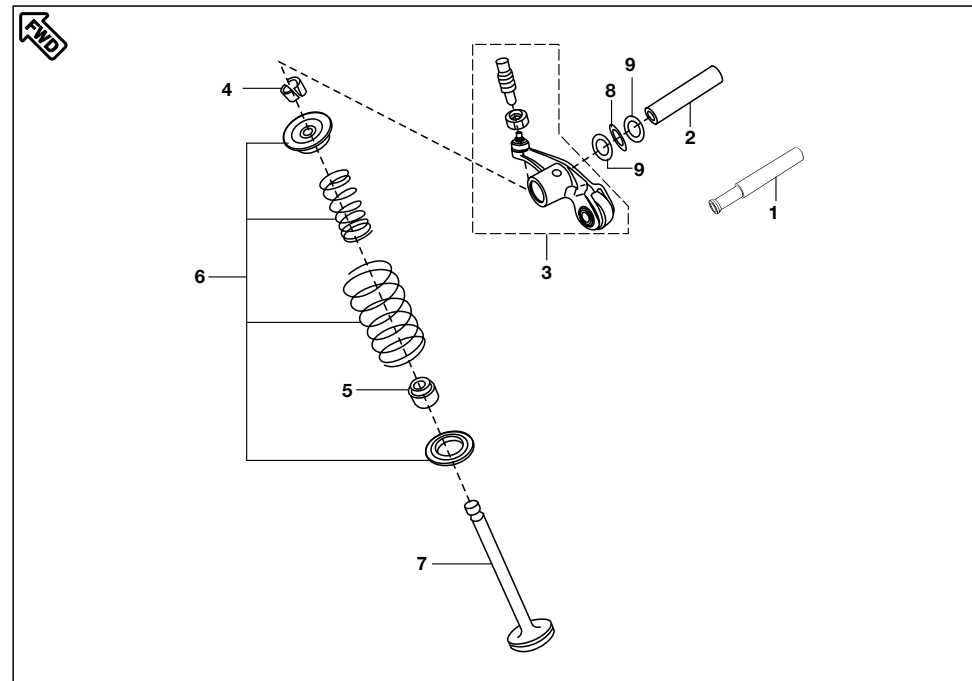
PAGE NO.:  
66



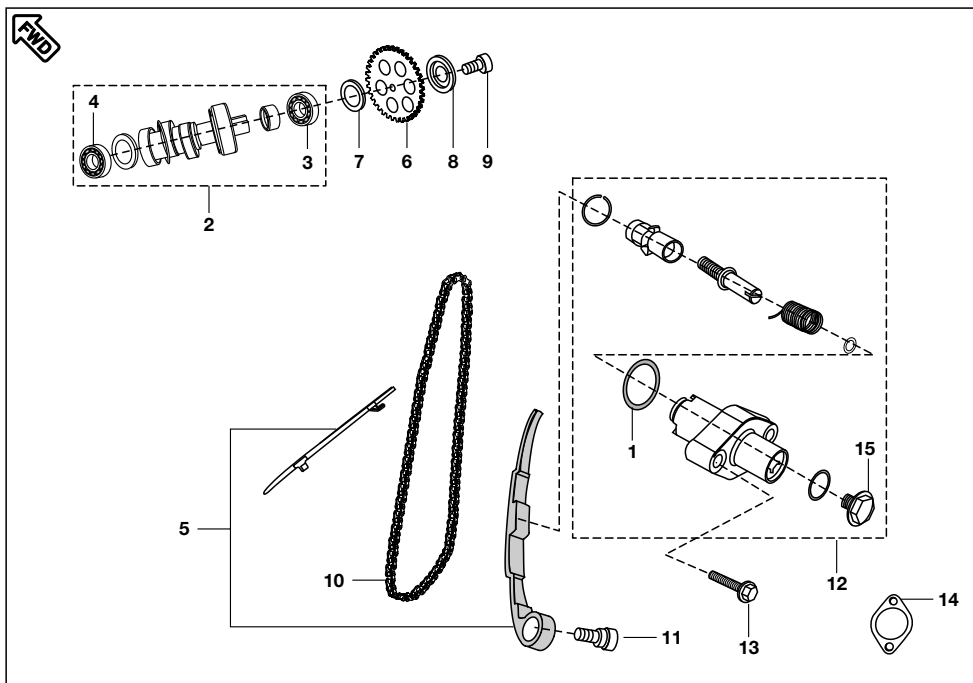




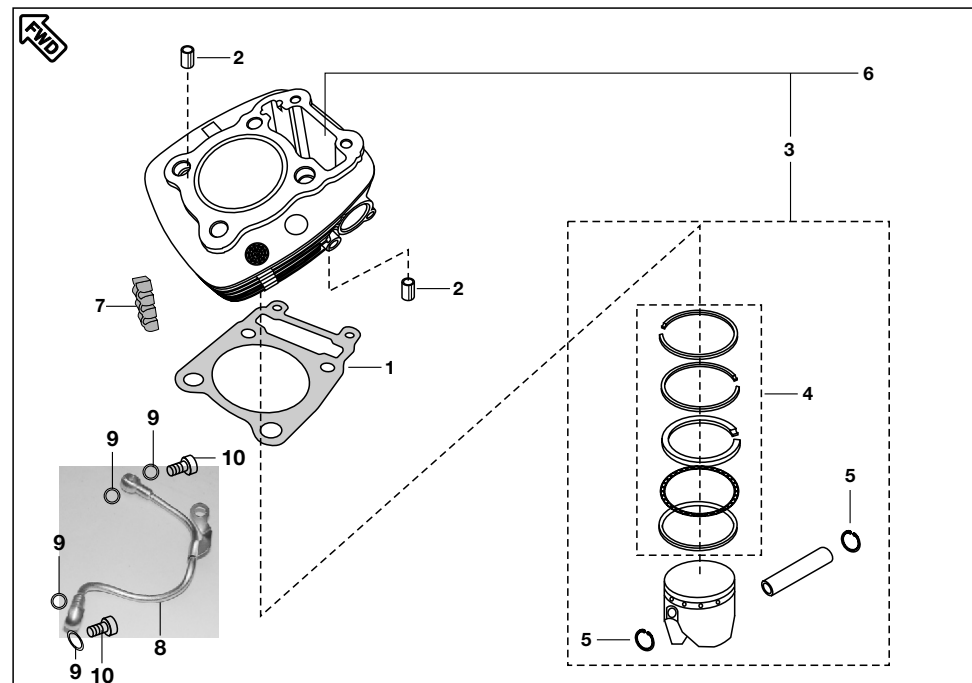
No.	Part No.	Description	Qty/ Veh.	Remarks
1	DK 1016 07	Head Cylinder with Cover	1	
2	59 0500 02	Stud (Exhaust)	2	
3	DK 1010 03	Gasket Cylinder Head	1	
4	DH 1015 08	Damper Cylinder Head	5	
5	39 1283 21	'O' Ring (Intake Pipe)	1	
6	JC 1200 18	Insulator	1	
7	DH 1210 38	Clamp for Insulator	2	
8	39 1674 04	Hex. Bolt / Flange	2	(F)
9	DH 1110 12	Sleeve - Spark Plug	1	
10	39 2608 01	Grub Screw	1	For Sleeve Spark Plug
11	36 DS10 01	Cyl. Head 'O' Ring Kit	1	Ref. page no. 68
12	JC 1200 17	Manifold	1	
13	39 1075 04	Hex bolt	1	
14	DK 1015 03	Engine temperature sensor	1	
15	39 2181 06	Dowel	2	
16	39 1759 04	Bolt	1	



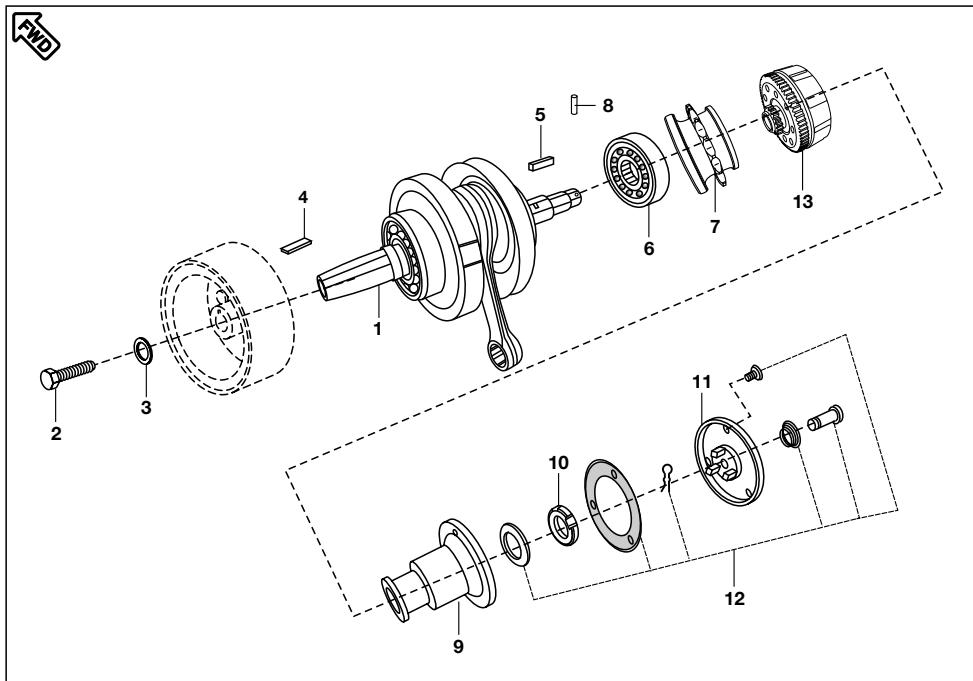
No.	Part No.	Description	Qty/ Veh.	Remarks
1	DS 1013 35	Rocker Arm Shaft - Intake	1	
2	DS 1013 36	Rocker Arm Shaft - Exhaust	1	
3	DS 1013 33	Rocker Arm with roller	2	
4	DG 1010 29	Collet	4	
5	39 2017 19	Seal valve stem	2	
6	DK 1013 26	Valve Repair Kit	1	Ref. page no. 68
7	DK 1013 27	Valve Kit (inlet + exhaust)	1	Ref. page no. 68
8	DS 1013 66	Wave washer	2	
9	59 1100 02	Plain washer	4	



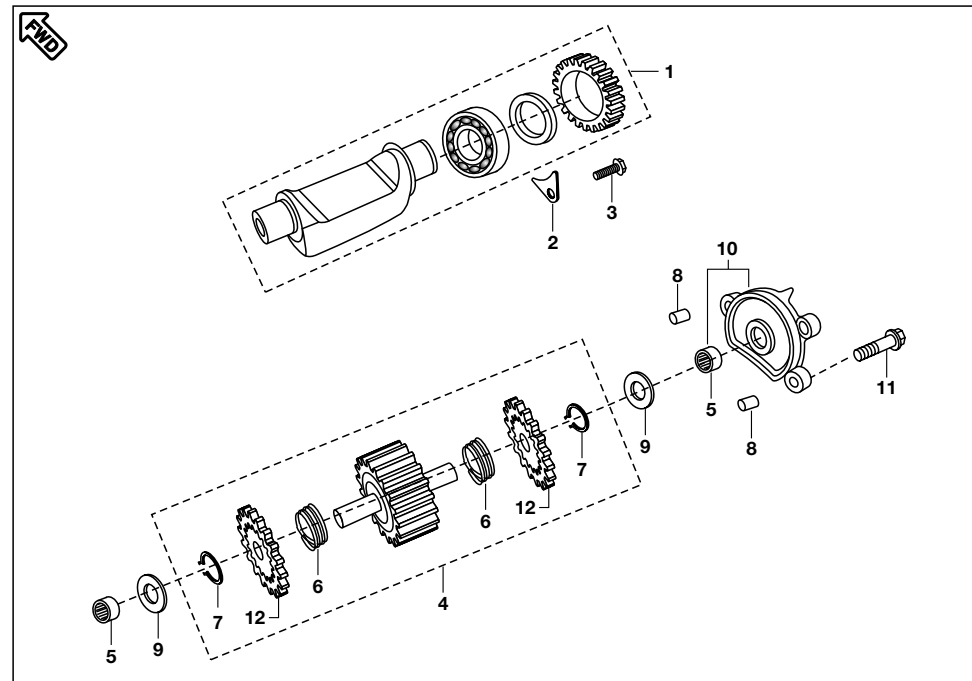
No.	Part No.	Description	Qty/ Veh.	Remarks
1	39 2669 21	Ring 'O'	1	
2	DK 1016 14	Camshaft Assembly	1	
3	JC 1010 86	Bearing cam RH side	1	
4	JC 1010 85	Bearing cam LH side	1	
5	DK 1013 30	Guide chain Kit	1	Ref. page no. 68
6	DS 1012 76	Sprocket cam Driven (32 T)	1	
7	DH 1014 12	Collar cam Sprocket	1	
8	DH 1010 48	Special camshaft washer	1	
9	DK 1013 86	Hex. Soc. Head cap Bolt	1	
10	DK 1010 64	Cam Chain (100 link)	1	
11	DH 1013 92	Cam chain Tensioner pivot Bolt	1	
12	JC 1010 34	Tensioner Assly	1	
13	39 1673 04	Hex Bolt / Flange	2	
14	CS 1011 28	Tensioner assly. gasket	1	
15	DD 1010 62	Bolt Flange	1	



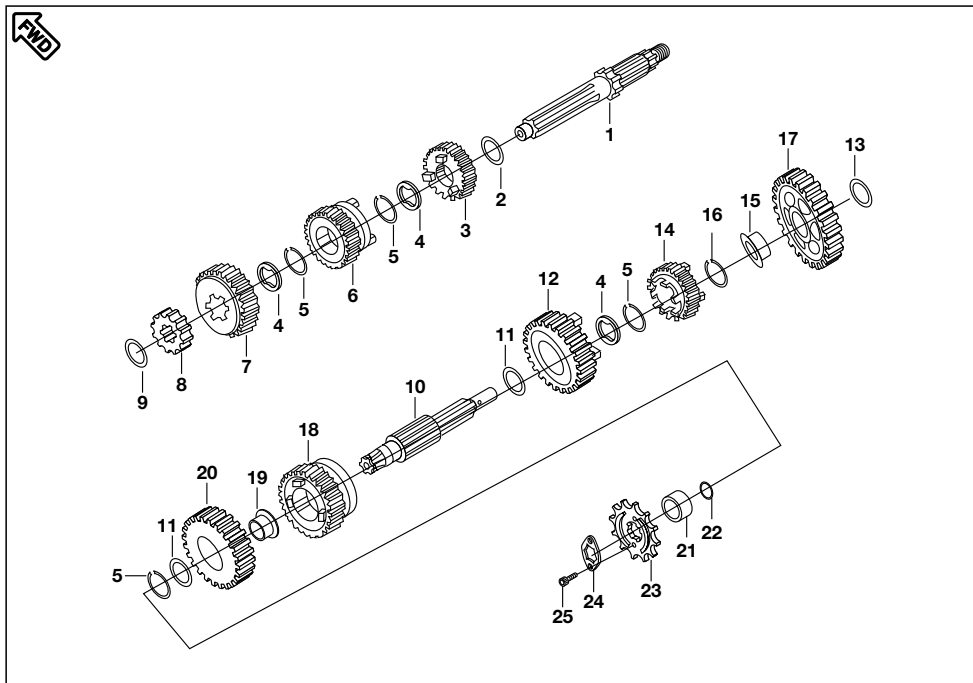
No.	Part No.	Description	Qty/ Veh.	Remarks
1	DK 1010 63	Gasket Cylinder	1	
2	39 2181 06	Pin dowel	4	
3	DK 1010 92	Piston Assly. Standard .	1	Not Serviceable
4	DK 1013 28	Ring Set Piston	1	Ref. page no. 68
5	39 2132 17	Ring Snap	2	
6	DK 1016 25	Cylinder Block / Piston Assly	1	
7	DH 1014 14	Damper	4	
8	DK 1015 92	Assembly Oil Pipe	1	
9	31 1210 06	Gasket	4	
10	DD 1210 07	Bolt	2	



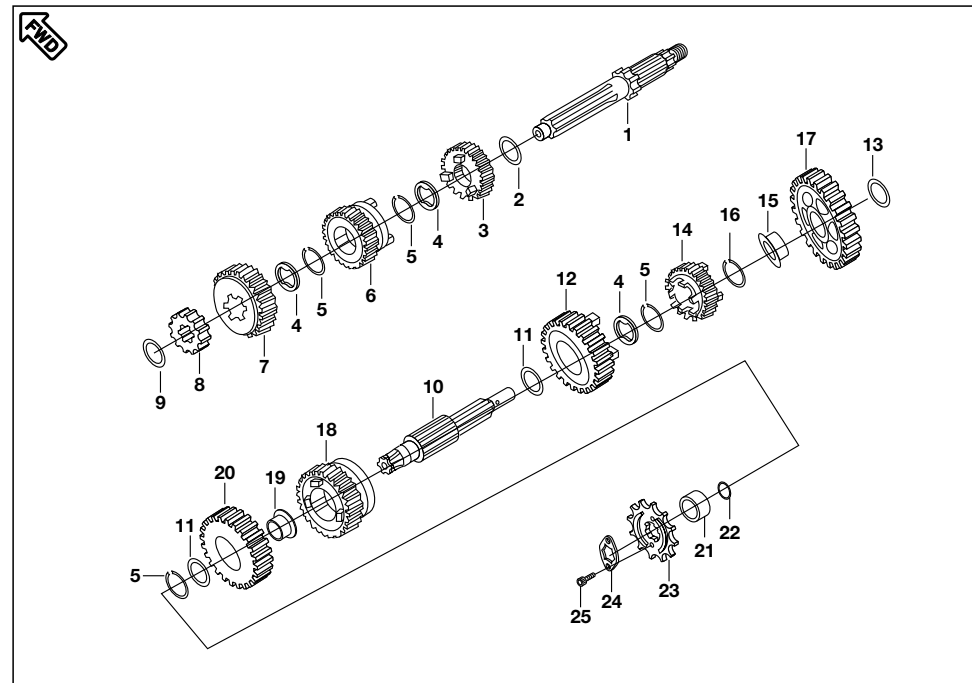
No.	Part No.	Description	Qty/ Veh.	Remarks
1	DK 1010 65	Crankshaft assly. comp.	1	
2	39 2183 04	Bolt primary drive lock	1	
3	39 2165 11	Plain washer	1	
4	31 1011 73	Key woodruff	1	
5	DS 1011 54	Square Key	1	
6	39 1931 20	Bearing Ball	1	
7	DK 101248	Sprocket cam drive (16 T)	1	
8	39 2203 07	Parallel pin	1	
9	DH 1010 64	Body centrifugal oil filter	1	
10	DH 1011 95	Nut	1	
11	DH 1010 65	Cover centrifugal oil filter	1	
12	36 DK00 07	Kit centrifugal oil filter	1	Ref. page no. 68
13	DK 1012 41	Housing comp. clutch	1	



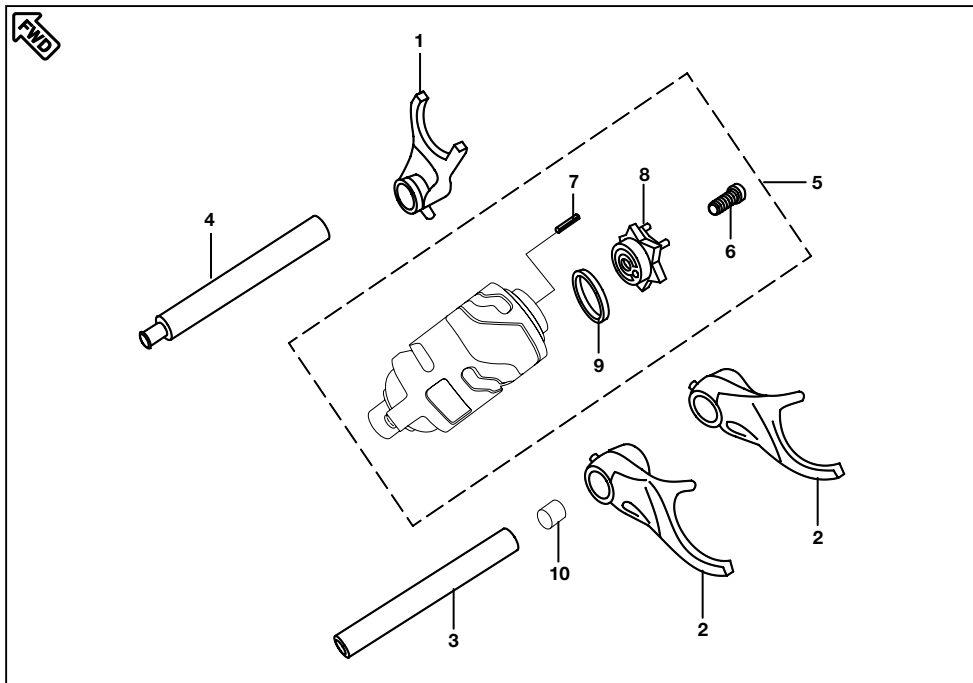
No.	Part No.	Description	Qty/ Veh.	Remarks
1	DK 1014 16	Body Balancer Assly.	1	
2	DH 1010 72	Bearing stopper	1	
3	39 1672 04	Bolt	1	
4	DH 1014 32	Assly. Balancer Idler Gear comp.	1	
5	39 2152 20	Needle roller bearing	2	
6	DJ 1011 33	Spring torsion Balancer Idler	2	
7	39 2557 17	Circlip ext.	2	
8	39 1686 06	Dowel Pin	2	
9	39 1620 11	Spring steel washer	2	
10	52 DH01 77	Balancer Idler Holder	1	
11	39 1674 04	Hex bolt with flange	3	
12	DH 1013 73	Scissor balancer idler	2	



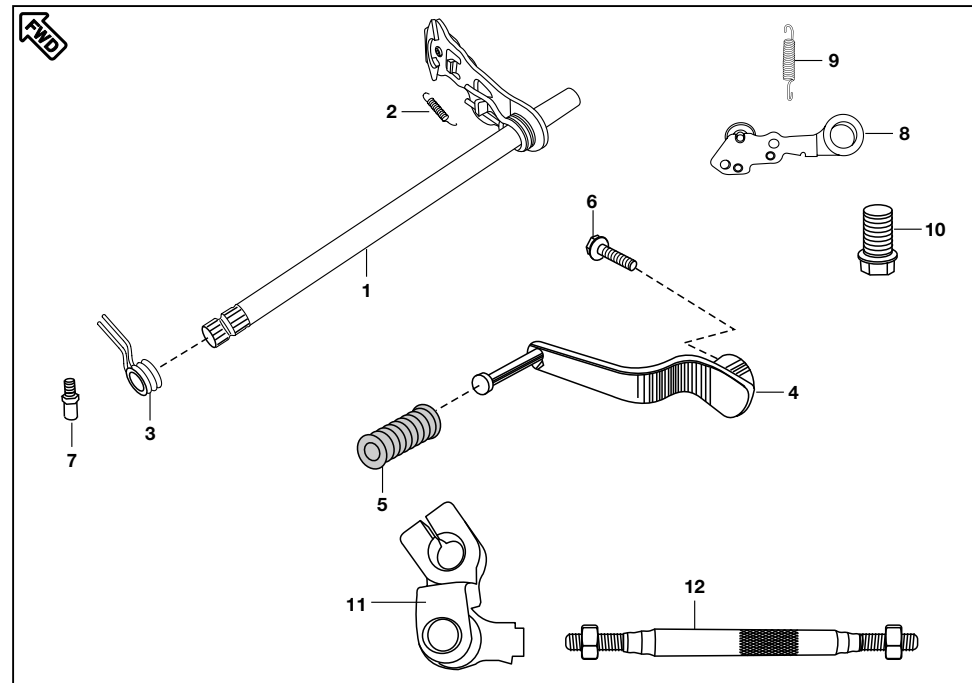
No.	Part No.	Description	Qty/ Veh.	Remarks
1	DK 1014 71	Shaft input transmission	1	
2	39 2158 11	Washer plain	2	
3	DK 1011 03	Gear 4th Drive	1	
4	DH 1010 79	Washer Spline	3	
5	DH 1012 35	External Circlip	4	
6	DK 1011 02	Gear 3rd Drive	1	
7	DK 1016 32	Gear 5th drive	1	
8	DH 1010 84	Gear 2nd drive	1	
9	39 2160 11	Plain washer	1	
10	DK 1011 44	Shaft output transmission	1	
11	DH 1013 36	Washer Thrust	2	
12	DK 1011 05	Gear 3rd Driven	1	
13	DH 1010 79	Washer spline	2	
14	DK 1011 06	Gear 4th Driven	1	
15	DH 1011 11	Bush 1st driven	1	



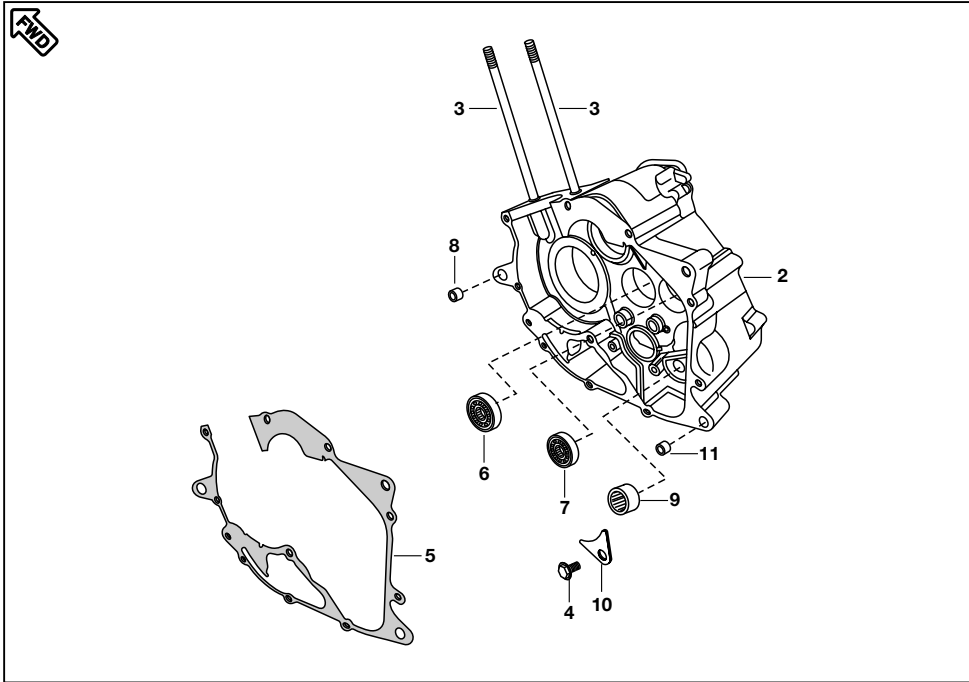
No.	Part No.	Description	Qty/ Veh.	Remarks
16	DH 1012 35	Circlip	1	
17	DK 1011 18	Gear 1st driven	1	
18	DK 1016 33	Gear 5th Driven	1	
19	DH 1013 19	Bush 2nd driven	1	
20	DH 1013 33	Gear 2nd Driven	1	
21	DK 1012 45	Collar Sprocket	1	
22	DK 1013 52	'O' Ring Sprocket Collar	1	
23	DV 1010 48	Sprocket Drive	1	
24	DJ 1010 63	Plate Drive Sprocket	1	
25	DJ 1013 00	Bolt flange	2	For Crankcase with circlip



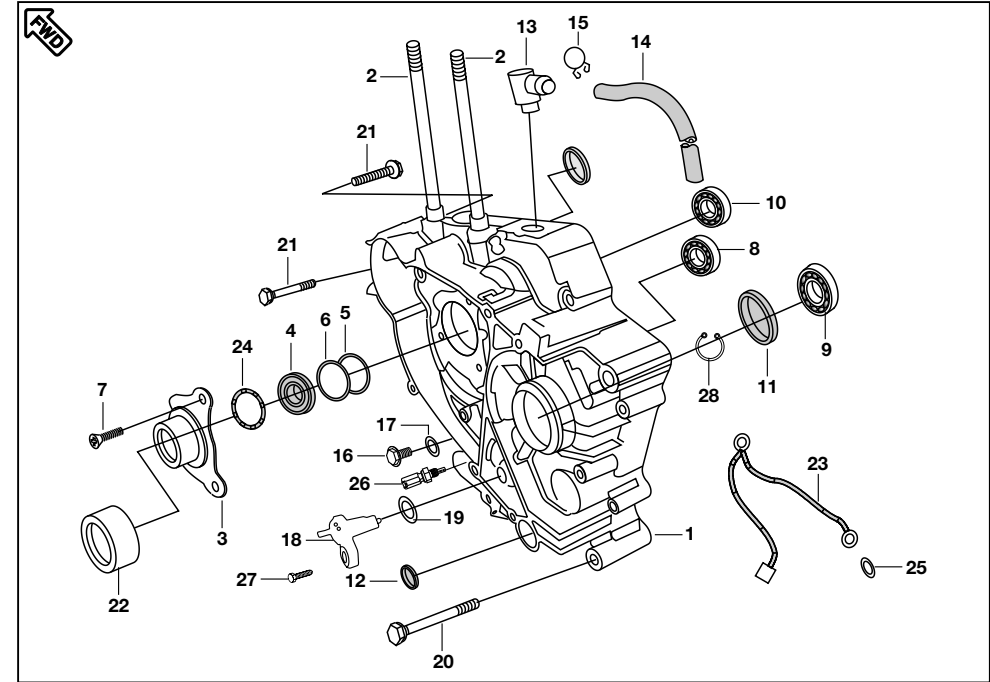
No.	Part No.	Description	Qty/ Veh.	Remarks
1	DK 1011 59	Fork Gear Shift Input	1	
2	DK 1011 60	Fork Gear Shift output	2	
3	DH 1011 46	Shaft Gear Shift Fork	1	
4	DH 1014 93	Shaft Gear Shift Fork	1	
5	DK 1013 82	Drum comp. Gear Shift	1	
6	39 2639 04	Bolt Socket	1	
7	39 2606 07	Parallel pin	1	
8	DK 1013 61	Guide Gear Shifter	1	
9	DH 1014 96	Spacer	1	
10	DK 1011 35	Bush Fork Gear Shift	1	



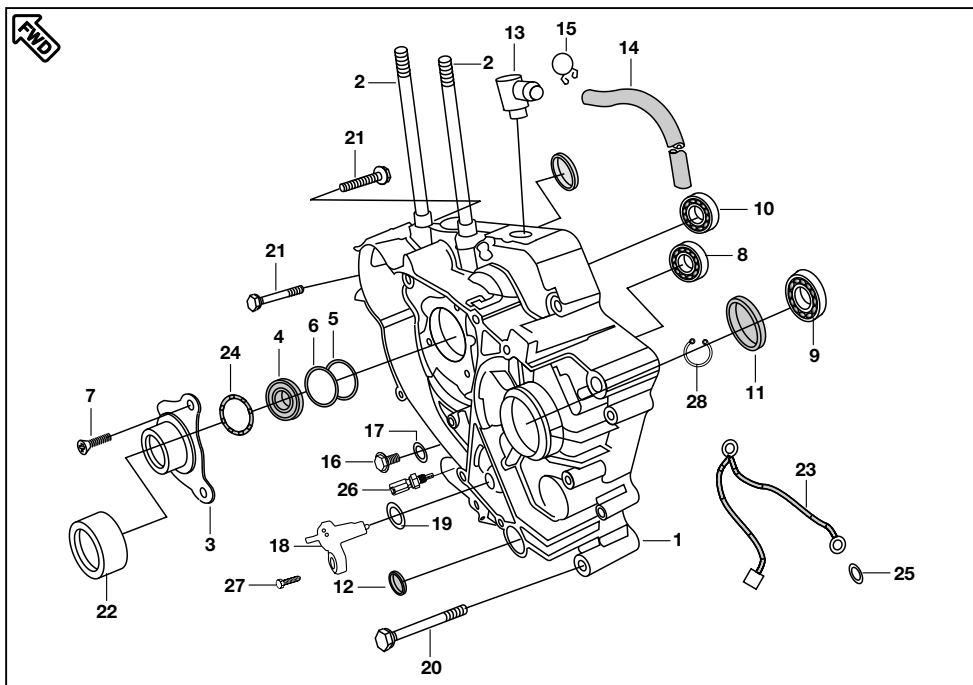
No.	Part No.	Description	Qty/ Veh.	Remarks
1	DH 1017 05	Lever comp. Gear Shifter	1	
2	DH 1017 14	Spring Slider Arm Reset	1	
3	DH 1011 44	Spring Gear Shifter Return	1	
4	DK 1011 82	Lever gear shift	1	
5	31 1011 08	Damper	1	
6	39 2453 04	Flanged Bolt	1	
7	DH 1013 93	Bolt Gear Shift drum Stopper	1	
8	DH 1015 03	Stopper Gear Shifter Drum	1	
9	DK 1012 53	Spring Gear Shifter Drum Stopper	1	
10	DH 1013 94	Bolt Shift Change	1	
11	DK 1011 77	Lever change arm	1	
12	DK 1011 80	Tie rod	1	



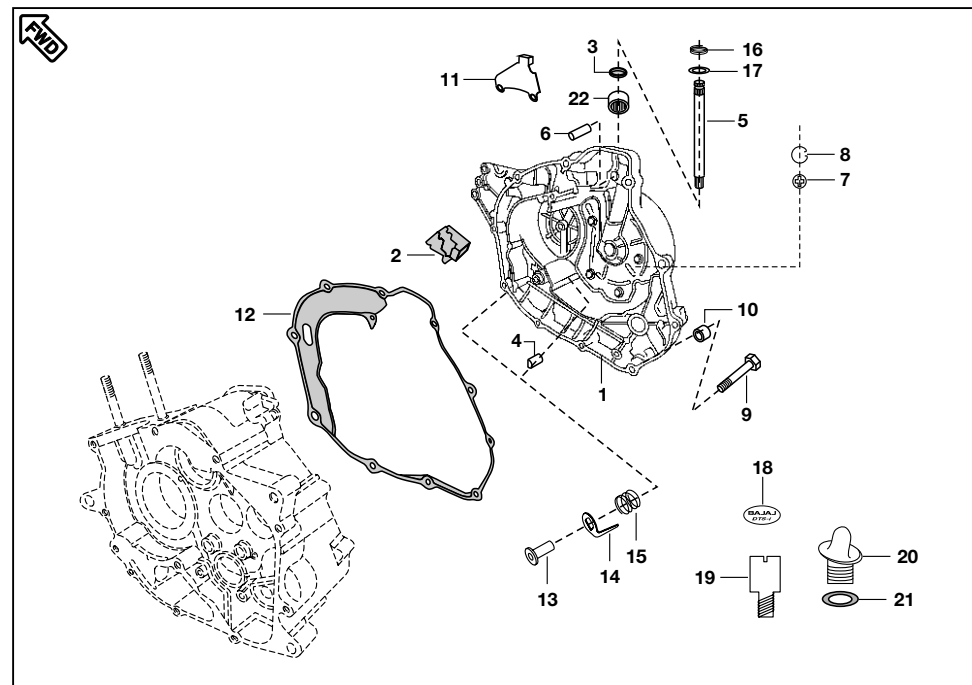
No.	Part No.	Description	Qty/ Veh.	Remarks
1	DK 1016 13	Engine Assly. with starter motor	1	N I (F)
2	JC 1010 29	Crankcase RH	1	
3	59 0500 02	Stud	2	
4	DJ 1013 02	Bolt Flanged	1	
5	DH 1018 96	Gasket Crankcase	1	
6	39 2583 20	Bearing Ball (For Input shaft)	1	
7	59 2000 27	Bearing Ball (For Output shaft)	1	
8	39 2180 06	Dowel Pin	2	
9	39 2601 20	Needle Roller Bearing	1	(For Dr. Comp. Gear Shift)
10	DH 1014 87	Plate Stopper	1	
11	39 2181 06	Dowel Pin	2	



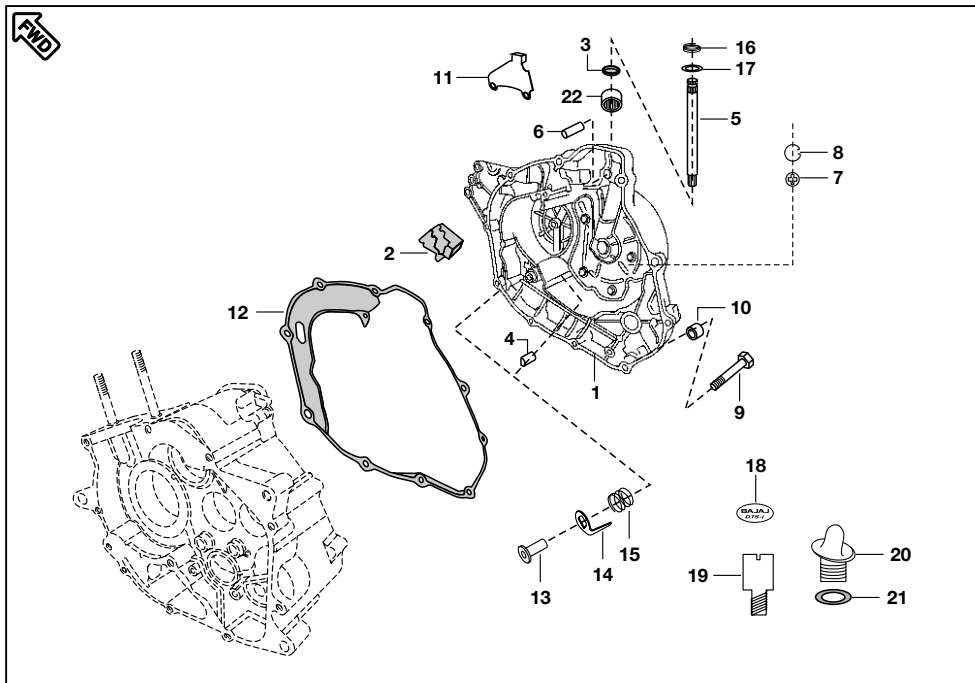
No.	Part No.	Description	Qty/ Veh.	Remarks
1	DK 1015 81	Crankcase LH	1	with banjo
2	59 0500 02	Stud	2	
3	DK 1010 94	Guide starter assly	1	
4	39 2188 19	Oil Seal	1	
5	59 2100 06	'O' Ring	1	
6	DK 1010 97	Damper	1	
7	39 0752 01	'C' Sunk Head Screw	3	
8	39 2603 20	Bearing Ball (For Input shaft)	1	
9	59 2000 06	Bearing Ball (For Output shaft)	1	
10	39 2185 20	Bearing Balancer LH	1	
11	39 2189 19	Oil Seal (For Output shaft)	1	
12	39 2190 19	Oil Seal (For Shift lever)	1	
13	DH 1012 03	Breather	1	
14	DH 1012 46	Rubber tube	1	
15	28 1011 74	Spring Clip	1	



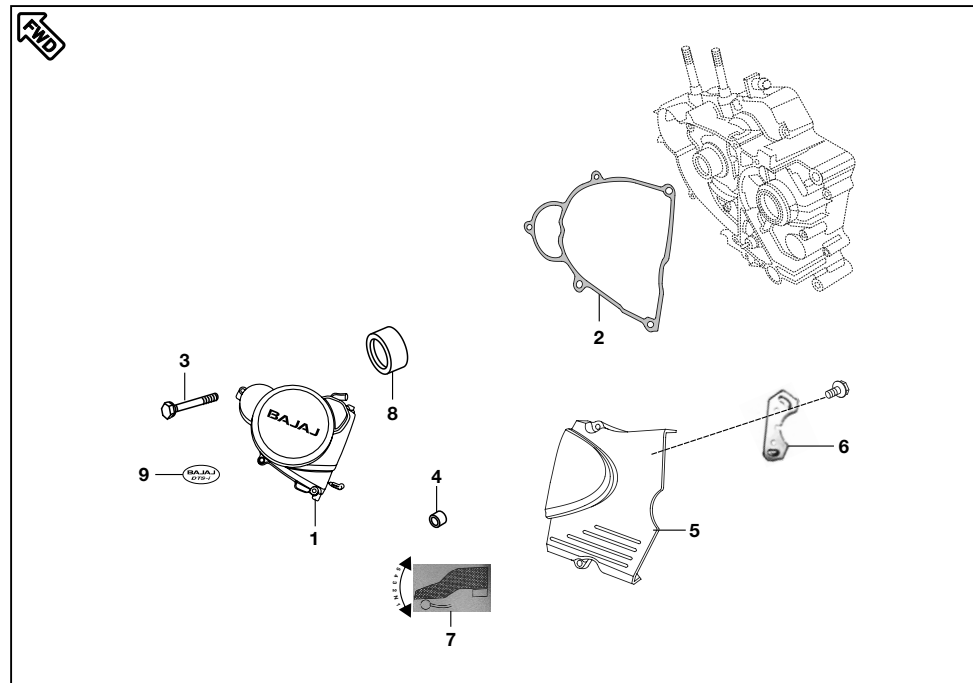
No.	Part No.	Description	Qty/ Veh.	Remarks
16	DH 1016 61	Plug (Drain Bolt)	1	
17	31 1011 06	Gasket (For Drain Bolt)	1	
18	DK 1013 80	Switch comp. (Neutral)	1	
19	39 1013 21	'O' ring	1	
20	39 1677 04	Bolt	8	
21	DH 1013 90	Bolt	1	
22	DH 1011 69	Needle Roller Bearing	1	
23	DJ 2011 40	Cable assly. (Battery to Earth)	1	
24	39 2448 11	Plain Washer	1	
25	39 0849 14	Toothed Washer	1	
26	DK 1015 77	Thermal Sensor with AL gasket	1	
27	39 1672 04	Flange Bolt	1	For Plastic neutral switch
28	KE BA37 15	Circlip (May 10)	1	For DKGBTB 50638



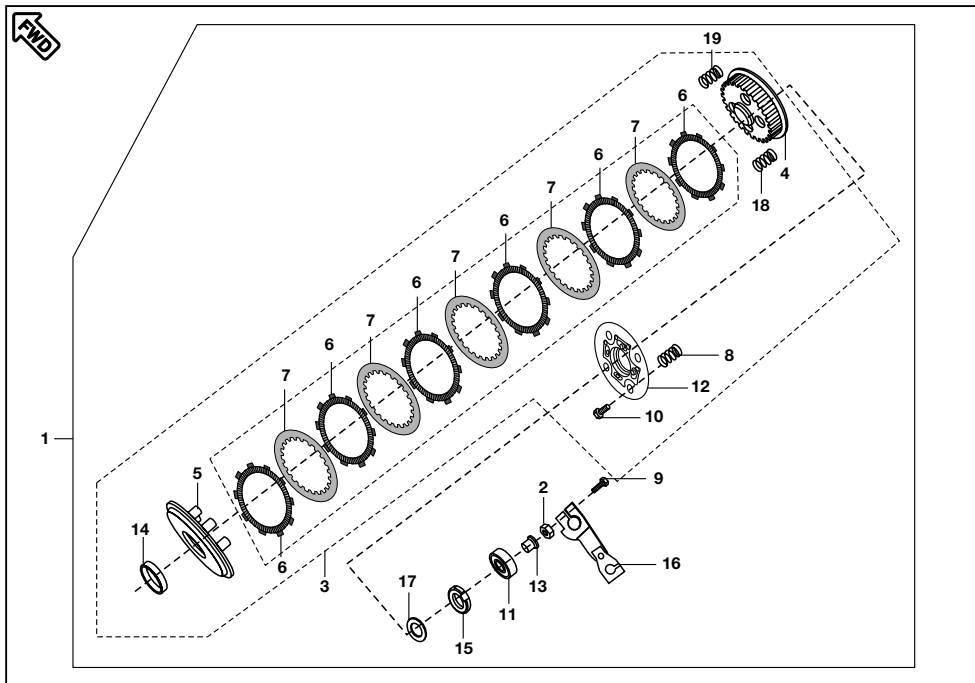
No.	Part No.	Description	Qty/ Veh.	Remarks
1	36 DK00 64	Cover comp RH Flower type	1	
2	DH 1011 97	Grommet Breather	1	
3	39 1041 19	Seal clutch lever	1	
4	DH 1011 41	Rack	1	
5	DH 1011 42	Shaft clutch release	1	
6	DK 1012 51	Parallel pin	1	
7	DG 1014 18	Gauge	1	
8	DS 1012 15	Wire circlip	1	
9	DS 1013 53	Bolt	10	
10	39 0999 06	Pin Dowel	2	
11	DK 1012 52	Bracket Clutch Cable	1	
12	DH 1011 54	Gasket cover RH	1	
13	DK 1014 80	Plunger Oil	1	
14	DH 1210 11	Plate Plunger Oil	1	
15	DH 1210 12	Spring Joint 'A'	1	



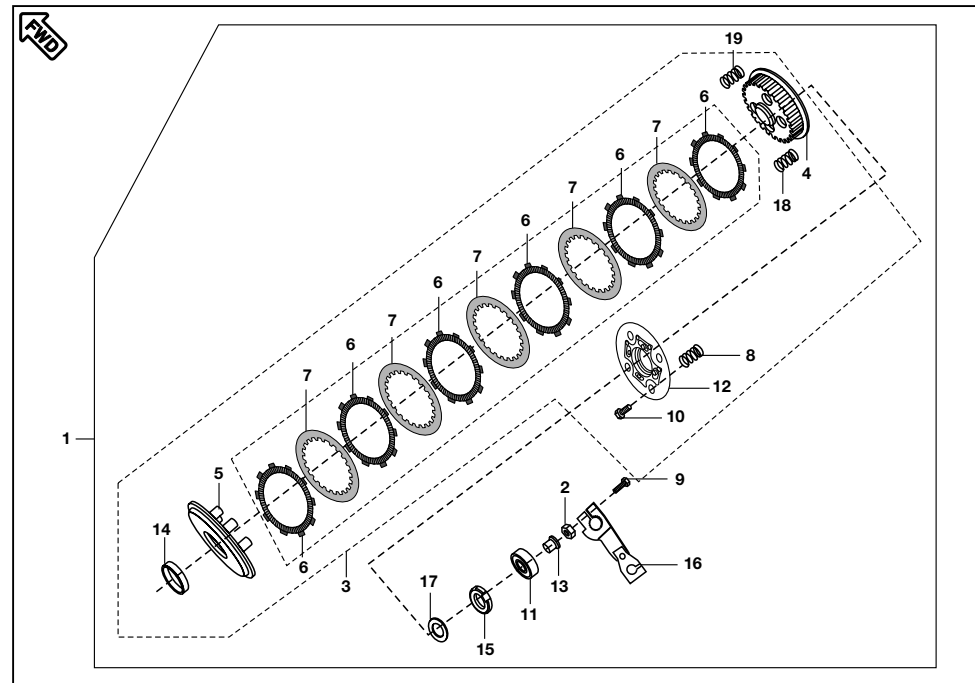
No.	Part No.	Description	Qty/ Veh.	Remarks
16	DH 1015 44	Spring Torsion clutch lever	1	
17	39 2443 11	Washer	1	
18	DK 1017 38	Decal clutch cover	1	
19	DK 1014 69	Assembly Relief Valve Complete	1	
20	DS 1010 71	Cap Oil Filler	1	
21	DH 1011 52	'O' ring	1	
22	39 1990 20	Needle Roller Bearing	2	



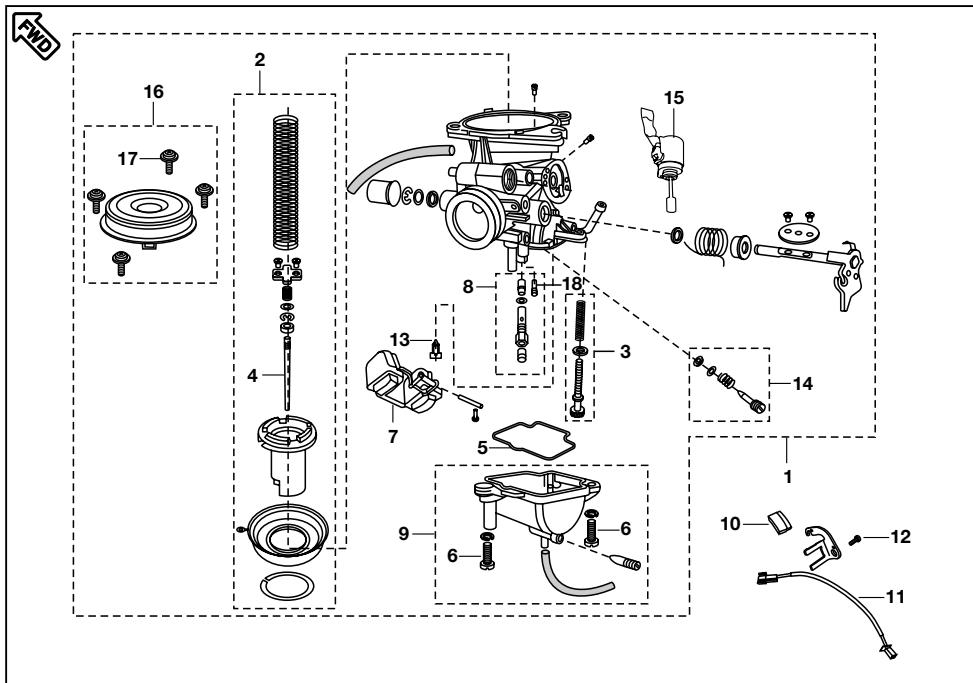
No.	Part No.	Description	Qty/ Veh.	Remarks
1	52 DH06 24	Cover Magneto Flower Type	1	
2	DV 1010 42	Gasket Magneto cover	1	
3	39 1074 04	Bolt	5	DS 1013 53
4	39 0999 06	Pin Dowel	2	
5	JC 1010 33	Cover LH Rear	1	
6	DH 1012 93	Plate Damper Cover LH Rear	1	
7	DJ 1612 28	Gear Shift Label	1	
8	AP 1010 43	Needle Roller Bearing	1	
9	JE 5412 12	Decal DTS-i Magneto	1	



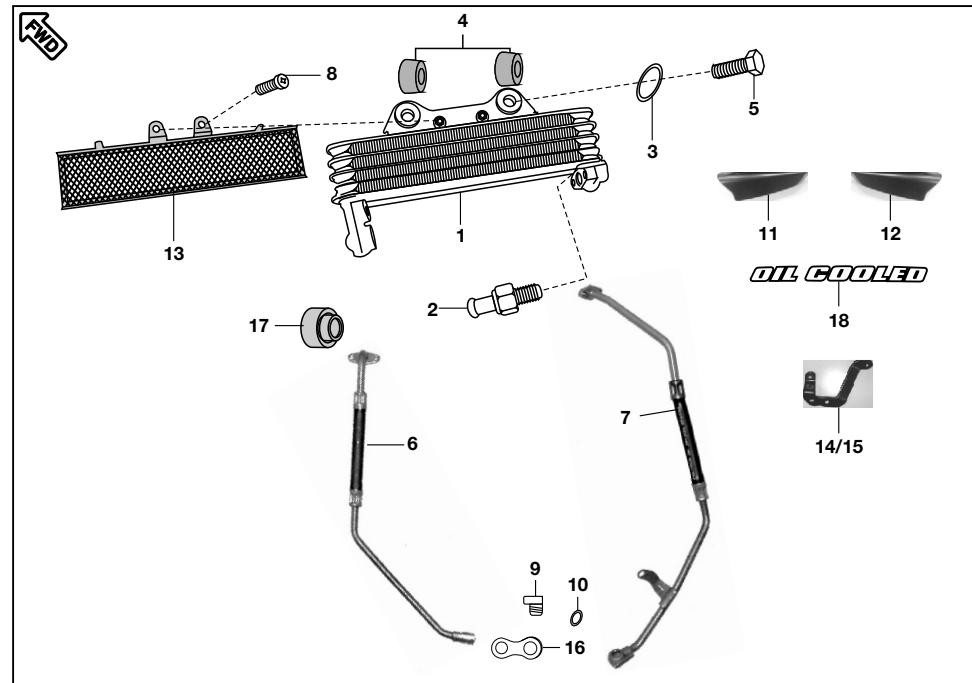
No.	Part No.	Description	Qty/ Veh.	Remarks
1	DK 1015 60	Clutch assembly comp.	1	
2	DH 1012 75	Nut	1	
3	DK 1015 63	Clutch Plate Assly	1	
4	DK 1015 64	Clutch Center	1	
5	DK 1015 69	Plate Clutch pressure	1	
6	DK 1015 66	Disc Clutch friction	4	} DJ 1013 69 (Disc Clutch Friction Kit)
	DK 1015 68	Disc Clutch friction (B type)	1	
	DK 1015 67	Disc Clutch friction (C type)	1	
7	DK 1015 65	Plate Clutch	5	
8	DK 1015 72	Spring Clutch Capacity	5	
9	39 1674 04	Bolt	1	
10	DK 1015 74	Bolt	5	
11	39 2617 20	Bearing Clutch lifter thrust	1	
12	DK 1015 73	Holder Clutch	1	



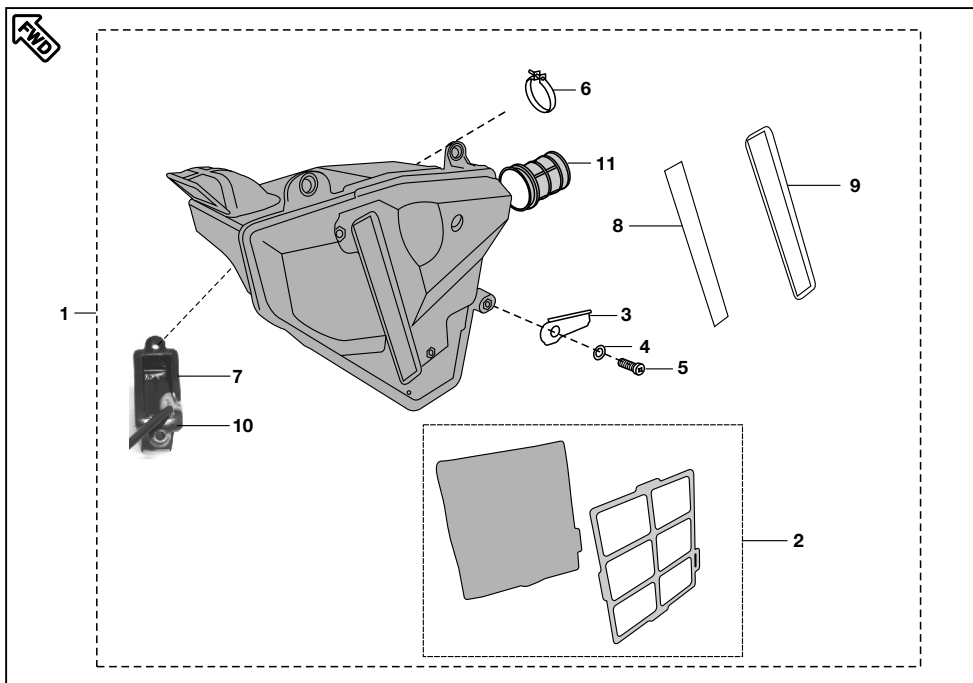
No.	Part No.	Description	Qty/ Veh.	Remarks
13	DK 1010 72	Rod Clutch lifter	1	
14	DK 1011 26	Spacer Clutch	1	
15	DH 1016 48	Nut Primary drive lock	1	LH Thread
16	DK 1016 36	Lever Assly. Clutch	1	
17	39 2200 11	Washer Primary Drive Gear	1	
18	DK 1015 70	Seat judder spring	1	
19	DK 1015 71	Spring judder	1	



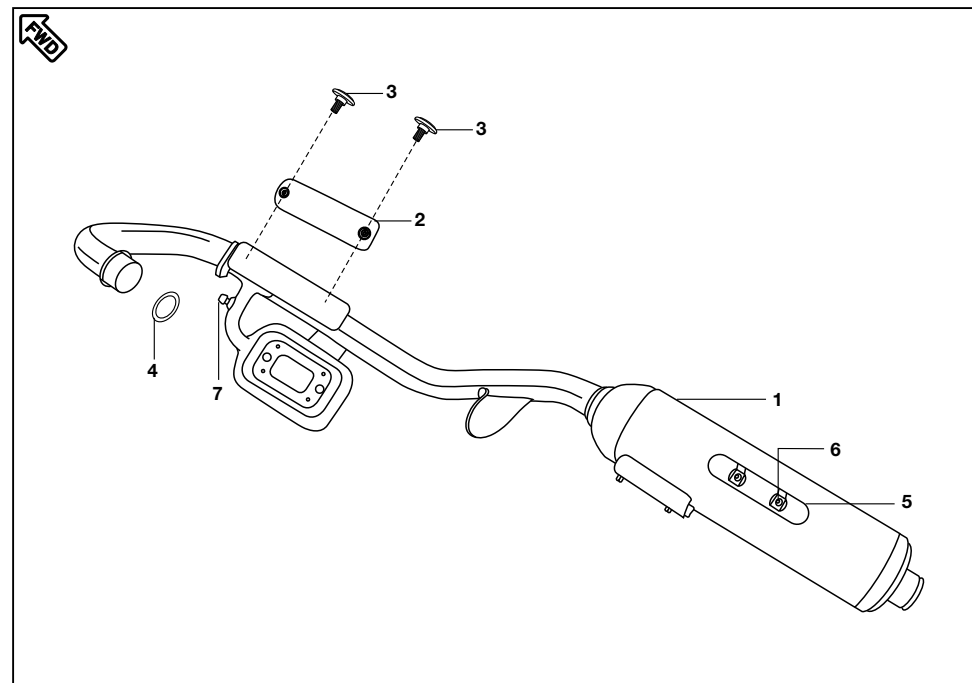
No.	Part No.	Description	Qty/ Veh.	Remarks
1	JC 1200 24	Carburettor Assly.	1	
2	36 DK00 58	Piston valve assly. Kit	1	For BS III Carb. Refer Page 69
3	DK 1210 41	Vacuum adjuster kit	1	Refer Page 69
4	DK 1210 42	Jet needle (JN)	1	
5	DK 1210 43	"O" ring	1	
6	DK 1210 44	Screw	2	
7	DK 1210 45	Float Assly.	1	
8	36 DK00 59	Main jet Kit	1	Refer Page 70
9	36 DK00 60	Float Chamber body Kit	1	Refer Page 70
10	DH 1211 01	Magnet Assly.	1	
11	DJ 1210 70	Reed Switch Assly.	1	
12	39 1780 01	Pan Head Screw	2	
13	DK 1210 47	Needle Assly.	1	
14	DK 1210 48	Pilot Screw Kit	1	Refer Page 69
15	36 DK00 62	Solenoid Kit for Auto choke	1	Refer Page 70
16	36 DK00 61	Tap Cap Assly. Kit	1	Refer Page 70
17	DH 1210 63	Screw Cover	4	
18	DK 1210 51	Pilot Jet	1	



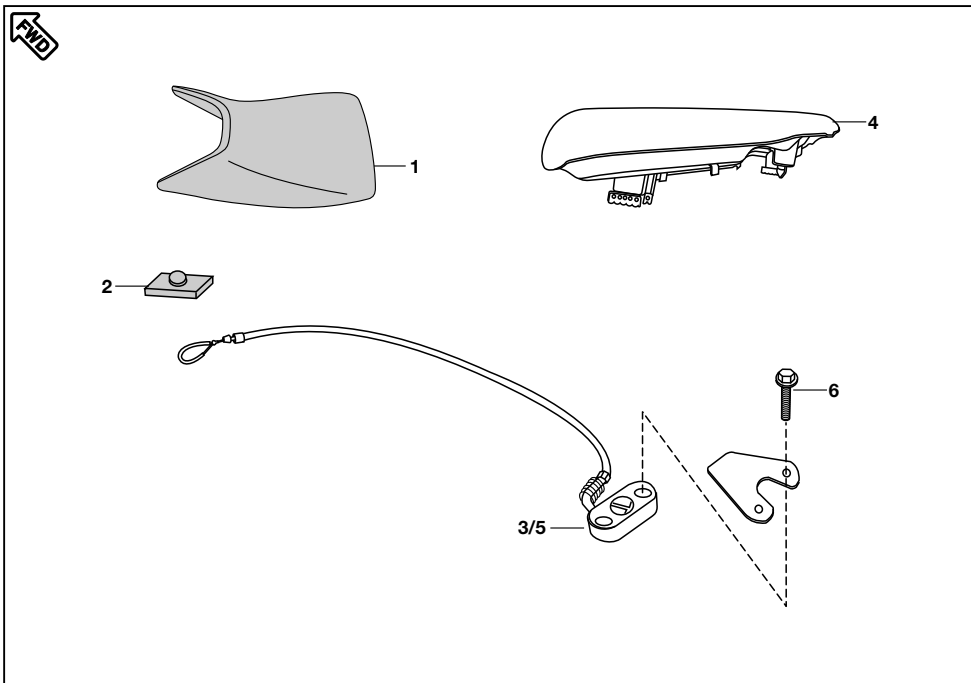
No.	Part No.	Description	Qty/ Veh.	Remarks
1	DK 1016 34	Oil cooler assembly	1	
2	DK 1012 25	Switch oil pressure	1	
3	DK 1013 40	'O' ring Oval (oil cooler pipe)	1	
4	DK 1610 81	Rubber Grommet	2	
5	39 1672 04	Bolt	2	
6	DK 1016 30	Pipe inlet oil cooler	1	
7	DK 1016 31	Pipe outlet oil cooler	1	
8	39 2637 04	Hexagon head screw	2	
9	DK 1013 66	Banjo bolt	2	
10	DK 1012 37	Copper Washer (oil cooler)	4	
11	DK 1611 88	Cap oil cooler LH	1	
12	DK 1611 89	Cap oil cooler RH	1	
13	DK 1016 35	Oil cooler jali	1	
14	DK 1611 86	Oil cooler cap bracket LH	1	
15	DK 1611 87	Oil cooler cap bracket RH	1	
16	DK 1012 79	Washer Cooler Pipe	1	At cover RH
17	JB 4022 02	Grommet oil Pressure Switch	1	
18	DK 1612 59	Decal Oil Cooler LH	1	Other than Orange (For S)
	DK 1612 63	Decal Oil Cooler RH	1	Other than Orange (For S)
	DK 1612 60	Decal Oil Cooler LH	1	For Orange (For S)
	DK 1612 64	Decal Oil Cooler RH	1	For Orange (For S)



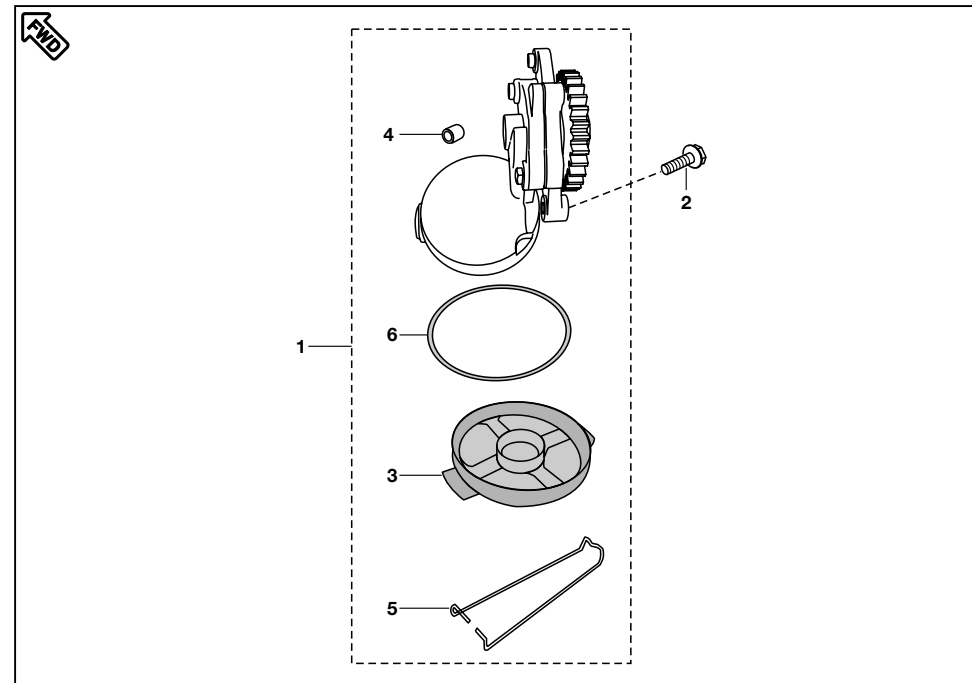
No.	Part No.	Description	Qty/ Veh.	Remarks
1	DK 1210 38	Air Cleaner comp	1	
2	DK 1210 09	Assly element filter	1	
3	DH 1210 20	Bracket lock	1	
4	39 1765 11	Plain washer	1	
5	39 0007 01	Hexagonal head screw	1	
6	AP 1210 64	Clamp	1	
7	DK 1110 40	IR sensor	1	
8	DK 1210 15	'O' Ring	1	
9	DK 1210 08	Filter element cover	1	
10	DK 1210 22	Grommet IR sensor	1	
11	DK 1210 39	Connecting Tube	1	



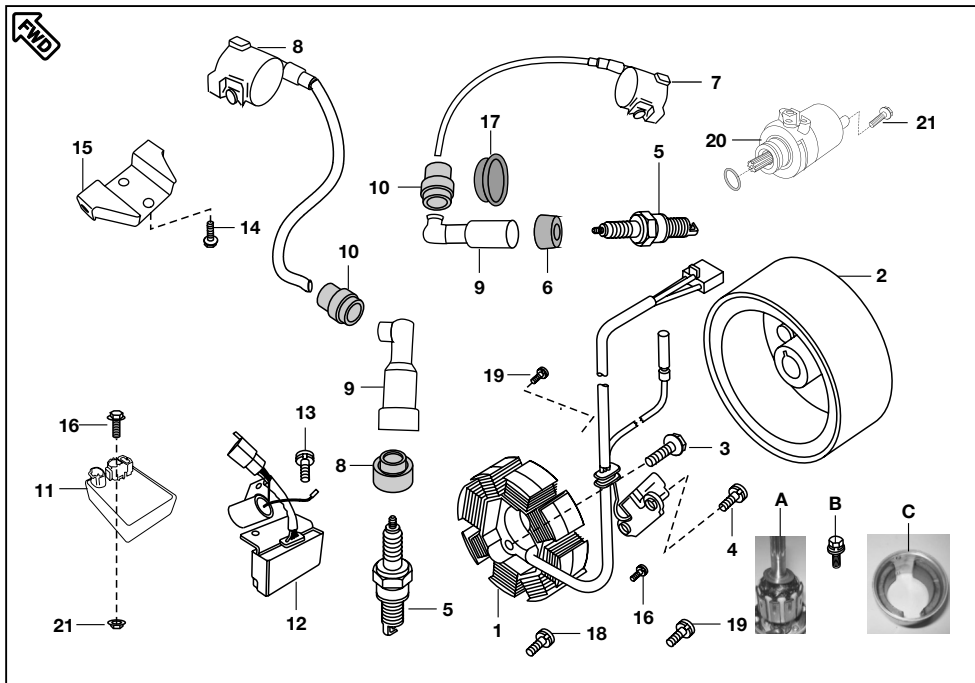
No.	Part No.	Description	Qty/ Veh.	Remarks
1	DK 1014 82	Silencer Assly. w/o shield	1	
2	DH 1016 08	Silencer front shield	1	
3	DH 1016 07	Truss screw	2	
4	DJ 1010 64	Gasket exhaust	1	
5	DK 1014 75	Silencer rear shield	1	
6	DK 9026 27	Nut	2	
7	DK 1016 10	Resonator bolt	1	



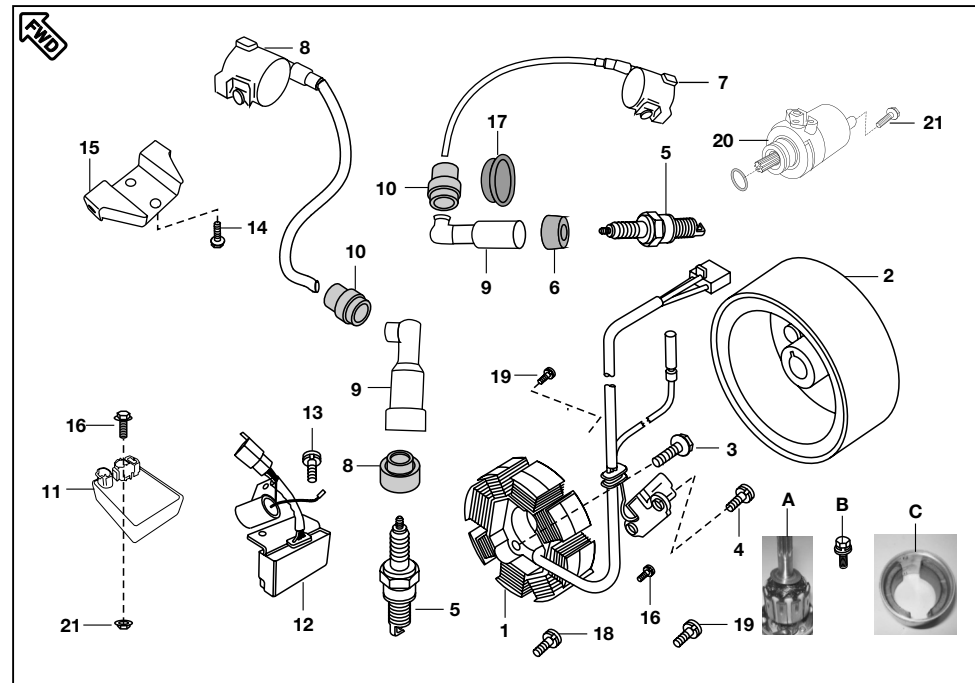
No.	Part No.	Description	Qty/ Veh.	Remarks
1	DK 2110 01	Seat assly comp front	1	
2	DS 2110 05	Damper	2	
3	DH 1610 46	Lock assly seat front	1	
4	DK 2110 04	Seat assly comp rear	1	
5	DK 2110 08	Lock assly seat rear	1	
6	39 1902 04	Bolt flange	2	



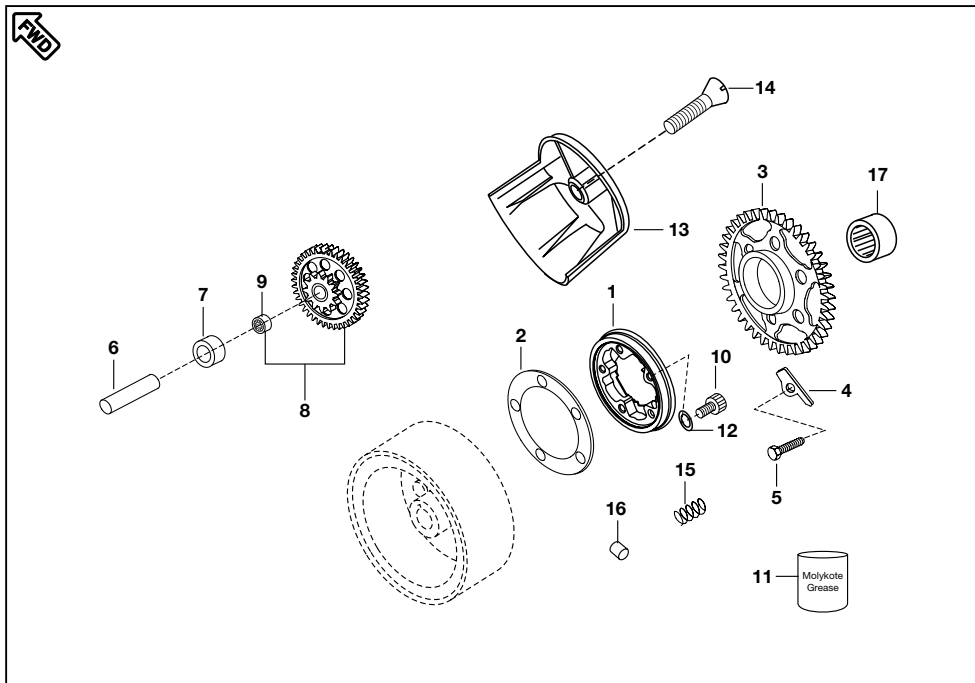
No.	Part No.	Description	Qty/ Veh.	Remarks
1	52 DH01 69	Oil Pump Assly	1	
2	39 1674 04	Hex. Bolt with flange	3	
3	DH 1210 10	Mesh filter Oil pump	1	
4	39 1686 06	Hollow dowel pin	1	
5	DH 1210 35	Clip Mesh Oil filter	1	
6	39 2194 21	'O' Ring	1	



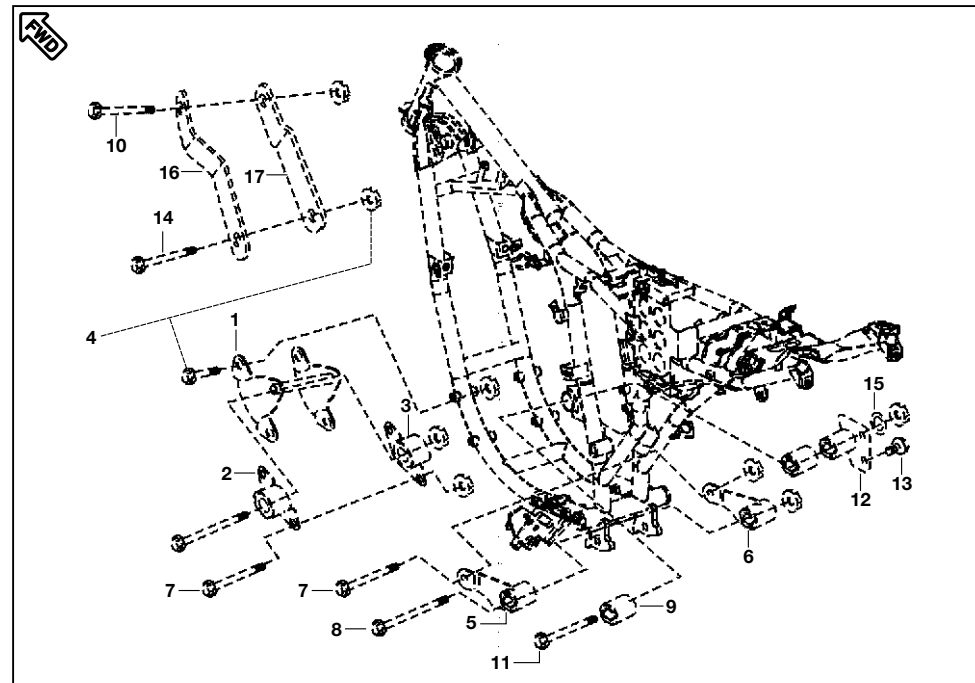
No.	Part No.	Description	Qty/ Veh.	Remarks
1	JC 1110 26	Stator assly. comp.	1	(For F)
	DH 1110 81	Stator assly. comp.	1	(For S)
2	JC 1110 28	Rotor Assly.	1	(For F)
	DH 1110 83	Rotor Assly.	1	(For S)
3	39 1674 04	Hex. Bolt with Flange	2	
4	39 0761 01	Pan Head Screw	2	
5	DK 1110 28	Spark Plug	2	
6	DH 1011 13	Grommet Spark Plug	2	
7	JC 1110 22	H.T. Coil LH	1	
8	JC 1110 23	H.T. Coil RH	1	
9	DH 1110 15	Cap Spark Plug	2	
10	DD 1110 12	Grommet H.T. Cable	2	
11	DK 1110 72	CDI Unit	1	
12	DK 2010 01	Regulator Voltage	1	(For F)
	DJ 2012 02	Regulator Voltage	1	(For S)
13	DD 2010 24	Flange Bolt	1	
14	39 1902 04	Flange Bolt	2	
15	DJ 1610 67	Bracket H.T. Coil	1	



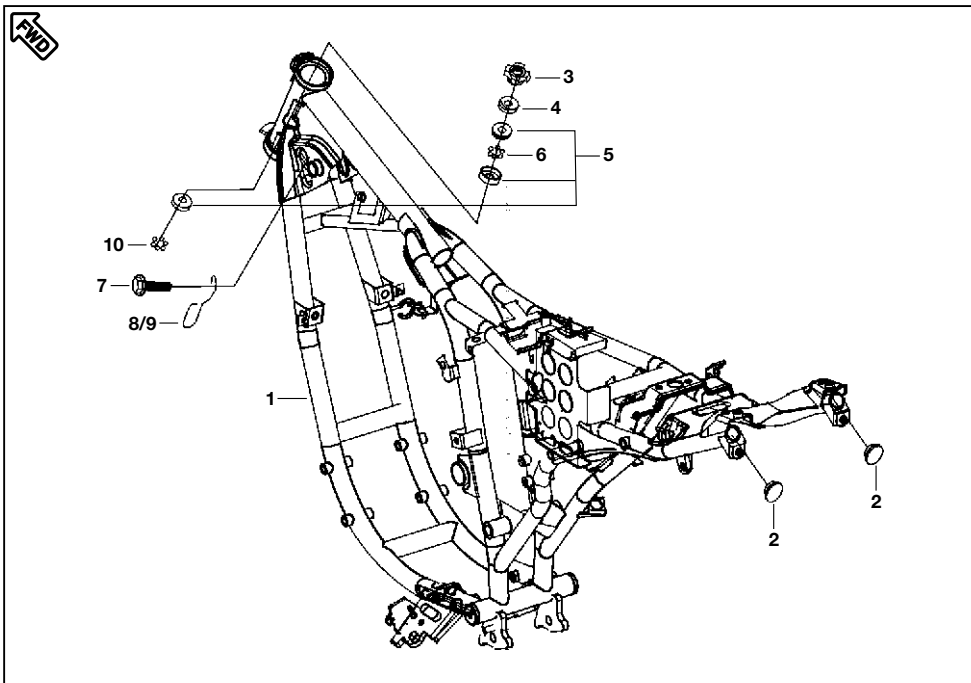
No.	Part No.	Description	Qty/ Veh.	Remarks
16	39 1680 04	Flange Bolt	2	
17	DH 1110 16	Grommet Sleeve Spark Plug	1	
18	DK 1210 84	Hex bolt stator mounting	3	
19	DH 1013 81	Pan head screw (Pick up coil mtg)	2	
20	JC 1110 07	Motor assly. starter	1	
21	DS 1013 53	Bolt	2	STARTER MOTOR SERVICEABLE
A	DK 1110 16	Armature	1	
B	DK 1110 21	Tie Bolt	1	
C	JC 1110 10	Yoke	1	
		STARTER MOTOR KIT		
D	36 DK00 50	Starter Motor Repair kit	1	Refer page no. 69
E	36 DK00 51	Starter Motor Repair kit	1	Refer page no. 69



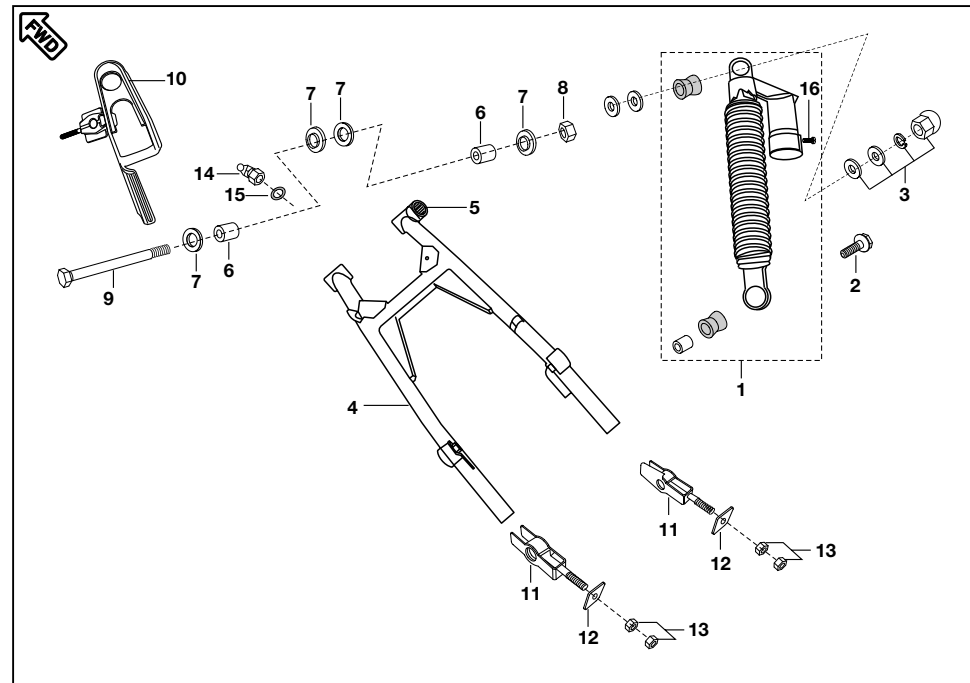
No.	Part No.	Description	Qty/ Veh.	Remarks
1	DK 1015 95	Body comp. starter clutch	1	
2	DK 1016 05	Plate roller clutch	1	
3	JC 1011 12	Gear starter clutch	1	
4	DH 1015 81	Plate starter clutch gear return	1	
5	DH 1013 85	Bolt	1	For stopper plate
6	DK 1011 76	Shaft starter counter	1	
7	DH 1011 72	Collar starter counter	1	
8	JC 1011 15	Gear comp. starter counter assly.	1	
9	59 2000 07	Needle roller bearing	1	
10	39 0972 04	Bolt Socket	3	
11	36 DK00 45	Grease Molykote (200 gm box)	1	For BSC Lubrication@ 5K Kms
12	39 0849 14	Star Washer Toothed	3	
13	DJ 1012 78	Cover starter motor	1	
14	DH 1013 89	Slotted c'sunk screw	1	
15	DK 1015 96	Spring Starter Clutch	5	
16	DH 1011 63	Roller	5	
17	59 2000 07	Needle roller bearing	1	



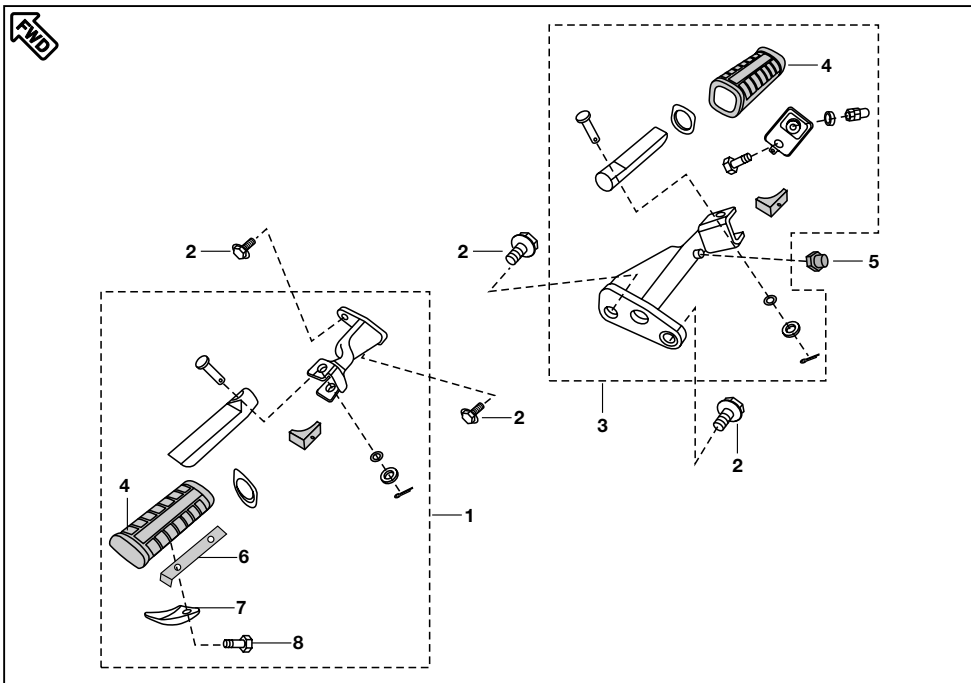
No.	Part No.	Description	Qty/ Veh.	Remarks
1	DK 1610 96	Bkt. Assly. eng. mtg. front	1	
2	DH 1611 89	Bkt. comp. LH eng. mtg. Front	1	
3	DH 1611 90	Bkt. comp. RH eng. mtg. Front	1	
4	36 DK00 11	Kit hardware eng. mtg.	1	Ref. page no. 68
5	DK 1611 59	Bkt. comp. LH eng. mtg. lower	1	
6	DK 1611 60	Bkt. comp. RH eng. mtg. lower	1	
7	39 2157 04	Bolt Flanged	3	
8	39 2412 04	Bolt Flanged	1	Alt. 39 2311 04
9	DH 1612 73	Bush in frame	1	
10	39 1967 04	Bolt	1	
11	59 0400 43	Hex. soc. hd. cap bolt	1	
12	DK 1611 61	Bkt. comp. RH eng. rear	1	
13	39 2310 04	Flanged bolt	2	
14	39 2311 04	Bolt	1	
15	39 2457 11	Washer	1	
16	DK 1612 22	Bracket engine hanger LH	1	
17	DK 1612 23	Bracket engine hanger RH	1	



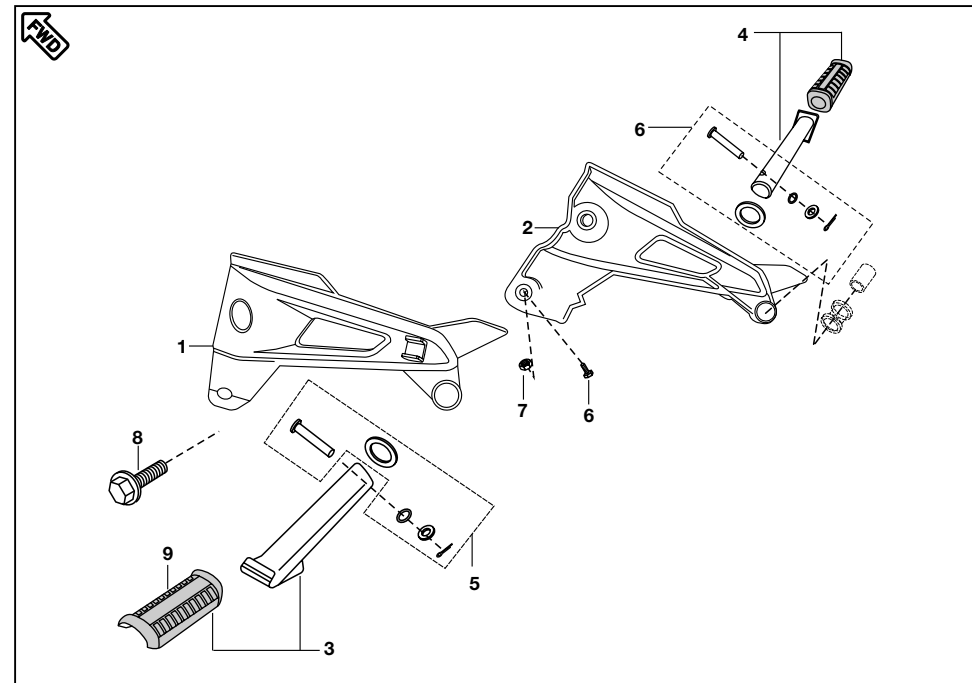
No.	Part No.	Description	Qty/ Veh.	Remarks
1	JC 1610 50	Frame Assly. Comp.	1	(For F)
	JC 1610 49	Frame Assly. Comp.	1	(For S)
2	DH 1611 12	Cup rear	2	
3	DK 1810 75	Nut	1	
4	DK 1810 76	Cup - Steering	1	
5	36 DV00 07	Bearing Cone Kit	1	Ref. page no. 68
6	DK 1810 50	Cage bearing upper	1	
7	39 1680 04	Flanged bolt	2	
8	DJ 1611 32	Cable Hook LH	1	
9	DJ 1611 33	Cable Hook RH	1	
10	DK 1810 51	Cage bearing lower	1	



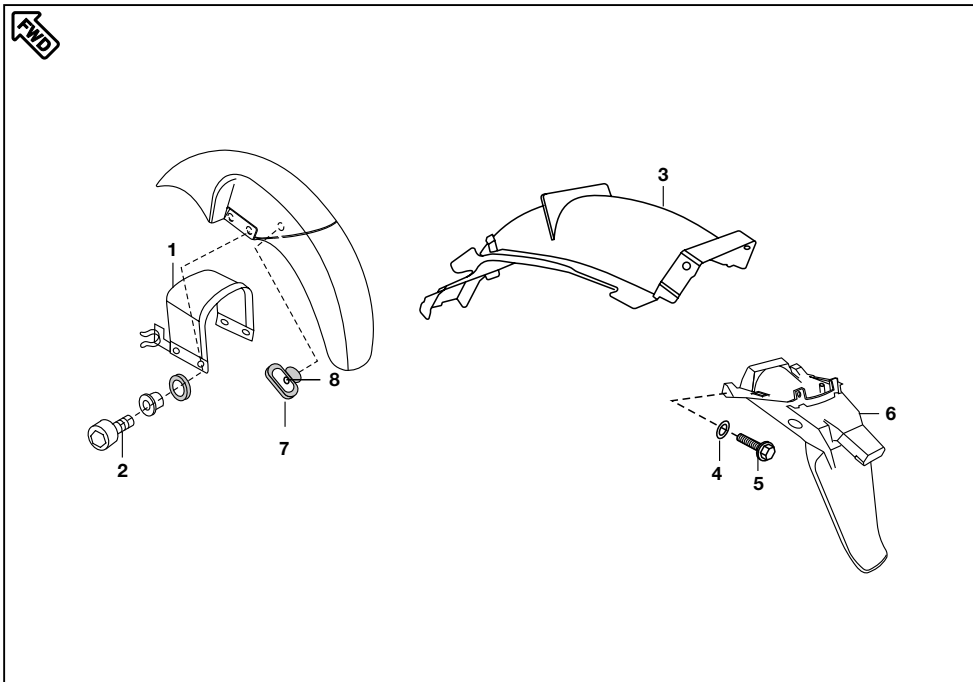
No.	Part No.	Description	Qty/ Veh.	Remarks
1	DK 1710 14	Rear Shock Absorber	2	
2	DG 1710 38	Bolt Pre-coated	2	
3	36 DK00 12	Kit Bush Rear Shock Absorber	1	Ref. page no. 68
4	DK 1710 11	Swing arm assly.	1	
5	DG 1710 18	Needle bearing	2	
6	DK 1710 06	Collar swing arm	2	
7	DG 1710 19	Dust seal swing arm	4	
8	DH 1710 19	'U' nut swing arm	1	
9	DK 1710 03	Shaft swing arm	1	
10	DG 1710 34	Chain slider guard	1	
11	JM 1710 03	Adjuster chain	2	
12	JM 1710 04	Cap Chain Adjuster	2	
13	39 0292 15	Hexagon nut	4	
14	35 1710 33	Grease nipple	2	
15	39 0740 11	Plain washer (Nylon)	2	
16	DJ 1710 34	Nitrox Screw Assly.	2	(1 Per RSA)



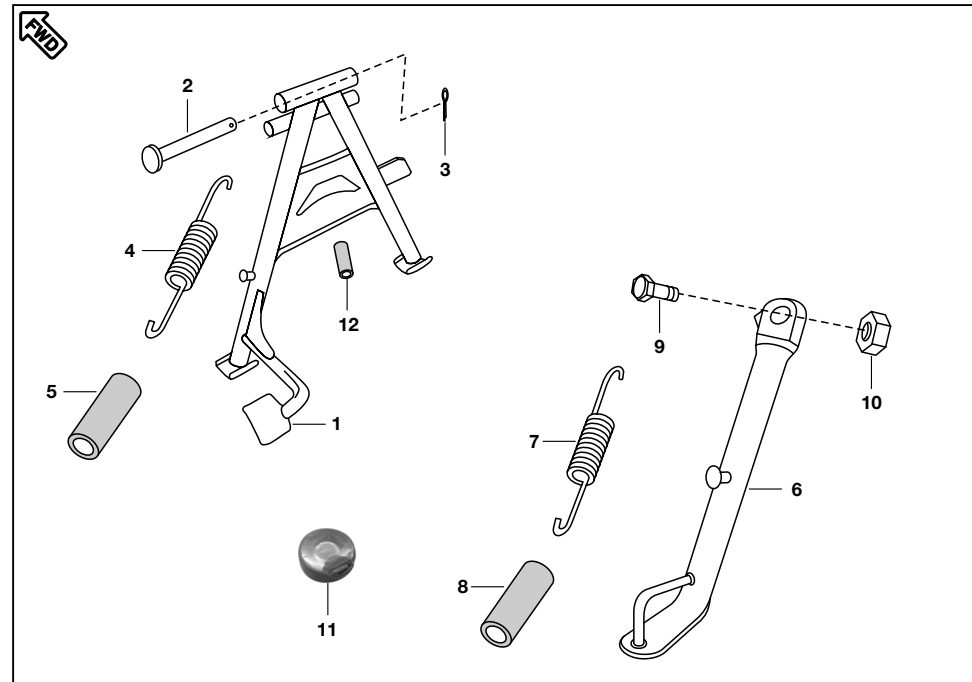
No.	Part No.	Description	Qty/ Veh.	Remarks
1	DJ 1611 26	Main step LH assly. comp.	1	
2	22 1504 51	Flange bolt	4	
3	DJ 1611 27	Main step RH assly. comp.	1	
4	DH 1610 53	Rubber main step	2	
5	DH 1611 94	Kick stopper	1	
6	DX 1610 67	Plate lock pillion step	2	
7	DH 1611 00	Spacer main step	2	
8	39 2475 04	Bolt	2	



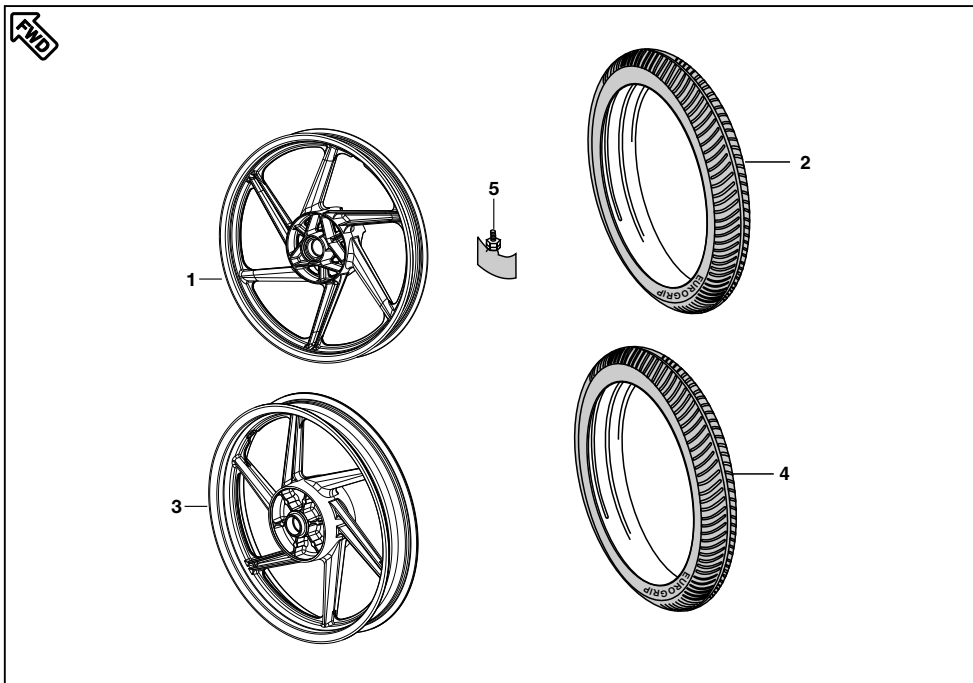
No.	Part No.	Description	Qty/ Veh.	Remarks
1	DK 1611 37	Holder LH step - Silver	1	
	52 DK01 67	Holder LH step - Black	1	
2	DK 1611 38	Holder RH step - Silver	1	
	52 DK01 68	Holder RH step - Black	1	
3	DJ 1611 28	Pillion step assly. comp. LH	1	
4	DJ 1611 29	Pillion step assly. comp. RH	1	
5	36 DK00 13	Kit hardware pillion	2	Ref. page no. 68
6	39 1069 01	Hexagonal head screw	2	
7	39 0292 15	Nut	1	
8	39 1741 04	Flanged Bolt	2	Bolt Mtg. LH & RH Holder Step
9	DJ 1611 22	Pillion footrest rubber	2	



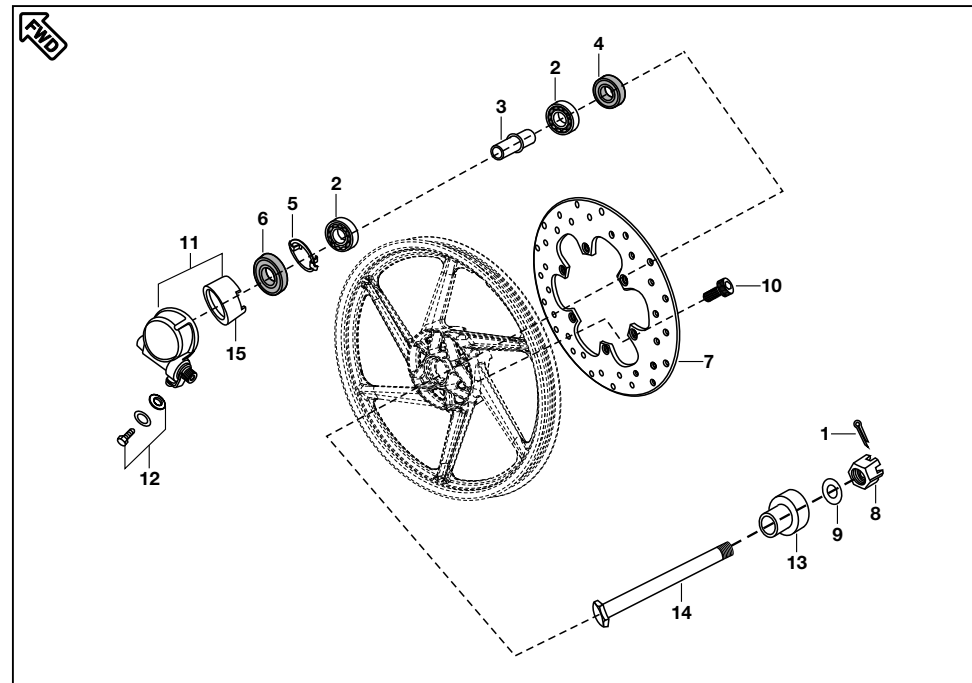
No.	Part No.	Description	Qty/ Veh.	Remarks
1	DK 1610 98	Brace fender	1	
2	59 0400 40	Step bolt	4	
3	DK 1610 86	Fender rear front	1	
4	39 0711 11	Plain washer	4	
5	39 1680 04	Flange bolt	2	
6	DK 1610 85	Fender rear	1	
7	DS 1611 25	Cable guide	1	
8	DJ 1610 69	Nail Cable guide	1	



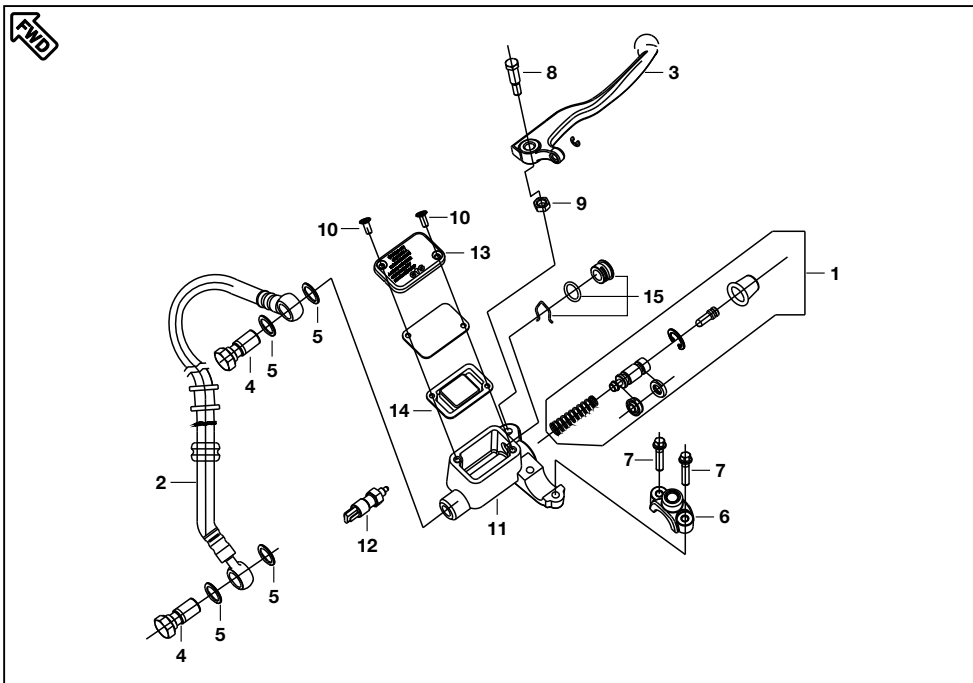
No.	Part No.	Description	Qty/ Veh.	Remarks
1	DK 1611 22	Stand main	1	
2	30 1611 57	Shaft stand	1	
3	39 0787 08	Pin cotter	1	
4	DH 1611 21	Spring main stand	1	
5	DH 1611 45	Cover spring main stand	1	
6	JC 1610 17	Stand side	1	
7	DH 1610 66	Spring side stand	1	
8	DH 1611 46	Cover spring side stand	1	
9	DF 1611 02	Bolt	1	
10	39 0422 15	Nut	1	
11	DJ 2011 06	Magnet assembly	1	
12	DJ 1611 24	Main Stand Rubber	1	



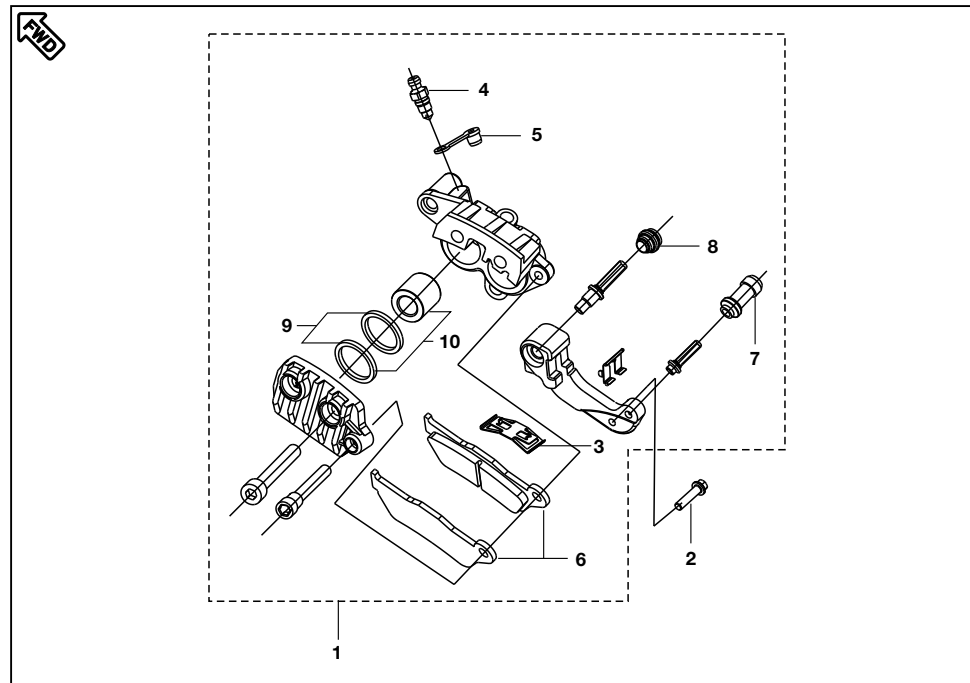
No.	Part No.	Description	Qty/ Veh.	Remarks
1	JC 1510 13	Wheel rim front	1	
2	DK 1510 39	Tubeless tyre front	1	Not serviceable
3	DK 1510 50	Wheel rim rear	1	
4	DK 1510 40	Tubeless tyre rear	1	Not serviceable
5	DK 1510 26	Valve for tubeless tyre	2	
6		Weights for Wheel Rim	1	



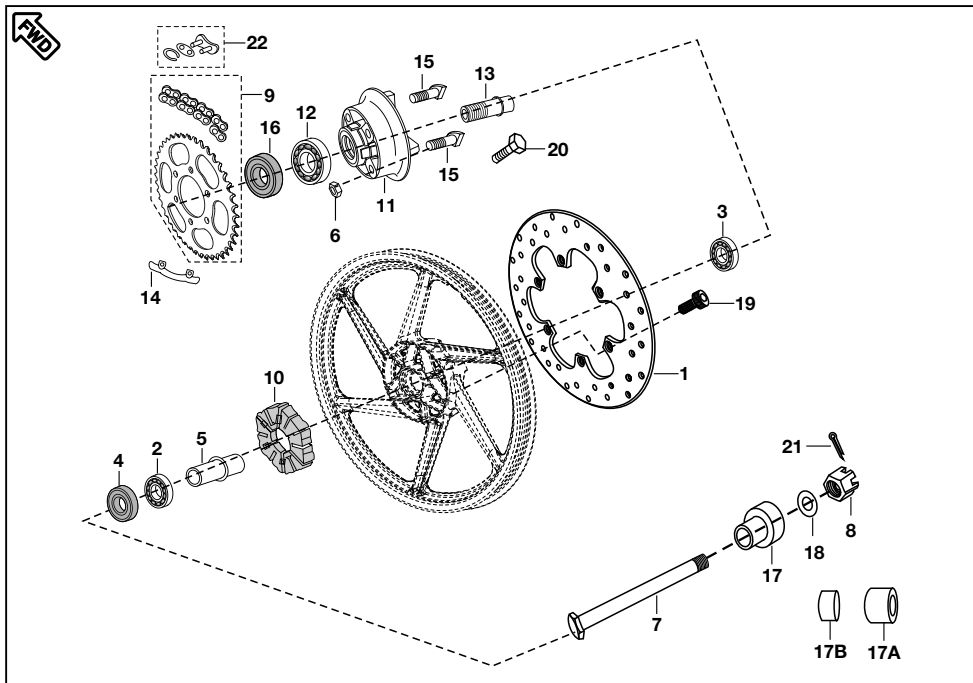
No.	Part No.	Description	Qty/ Veh.	Remarks
1	39 0787 08	Pin cotter	1	
2	39 2241 20	Bearing ball	2	
3	DK 1510 28	Spacer assly.	1	
4	DG 1510 05	Seal oil	1	
5	DE 1510 12	Plate drive	1	
6	DE 1510 08	Seal oil	1	
7	DK 1510 27	Disc	1	
8	DH 1710 19	U nut	1	
9	DG 1510 08	Plain washer	1	
10	DG 1510 49	Hex. soc. hd. bolt	6	
11	JC 1510 20	Case meter assly.	1	Applicable to all versions of Pulsar 220 & 200
12	JC 2010 50	Hardware Kit	1	
13	DG 1510 07	Collar	1	
14	DK 1510 08	Axle	1	
15	DK 2010 98	Sensor Speedometer	1	



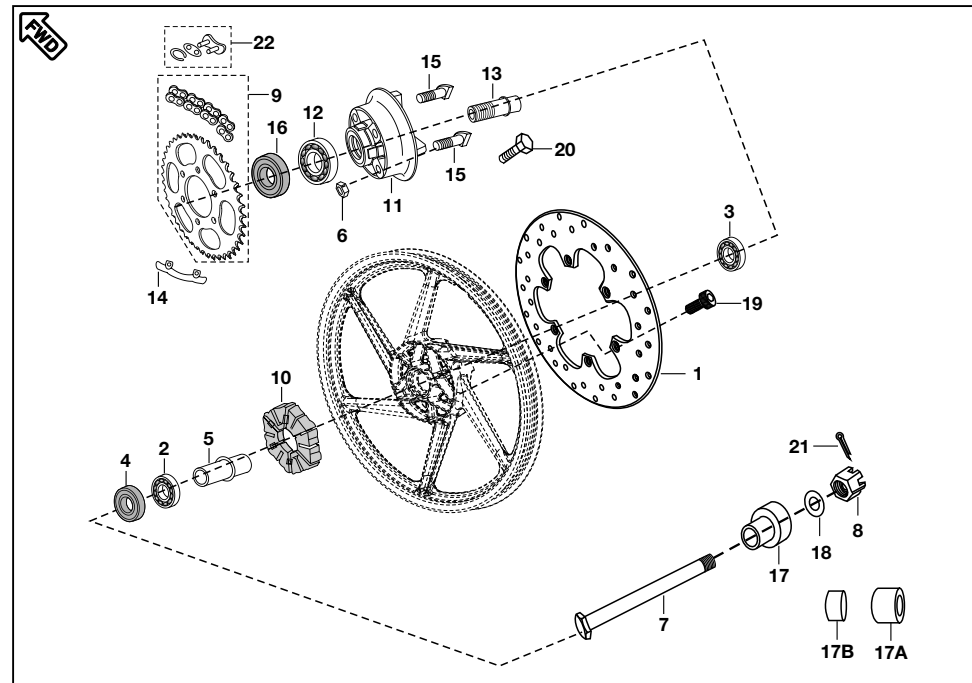
No.	Part No.	Description	Qty/ Veh.	Remarks
1	DE 1910 43	Major Kit - Master Cylinder	1	
2	DK 1510 57	Hose Brake Front	1	
3	DJ 1910 06	Lever Grip RH	1	
4	DE 1910 11	Banjo Bolt	2	
5	DE 1910 10	Washer Copper	4	
6	DE 1910 33	Clamp Holder RH	1	
7	DJ 1910 28	Bolt	2	
8	DJ 1910 29	Bolt Front Brake Lever	1	
9	DJ 1910 30	Nut Flanged	1	
10	DE 1910 30	Screw	2	
11	DJ 1910 32	Cylinder Master	1	
12	DJ 2011 09	Front brake switch	1	
13	DE 1910 29	Reservoir Cover	1	
14	DK 1510 72	Diaphragm	1	Not Serviceable
15	DE 1910 35	Oil Window Kit	1	



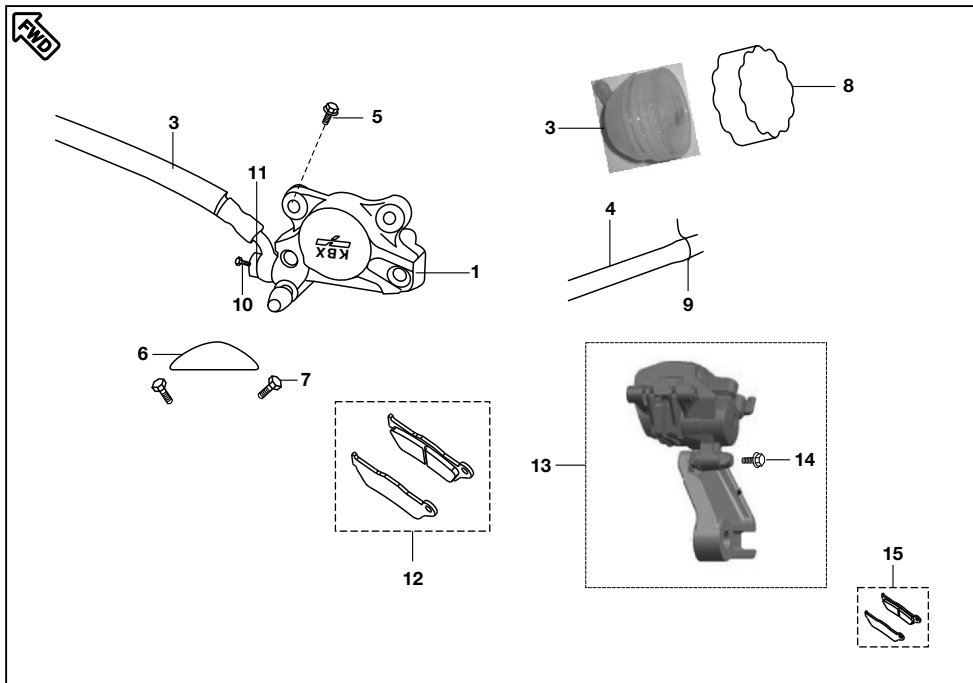
No.	Part No.	Description	Qty/ Veh.	Remarks
1	DK 1510 54	Caliper Assly. Front	1	
2	39 1769 04	Bolt Flanged	2	
3	DE 1510 48	Spring Pad	1	
4	DE 1510 46	Bleeder Screw	1	
5	DE 1510 47	Bleeder Cap	1	
6	DE 1510 37	Disc Pad Set	1	
7	DE 1510 43	Insulator	1	
8	DJ 1510 73	Protection Boot	1	
9	DE 1510 51	Minor kit caliper	1	
10	DE 1510 52	Major kit caliper	1	



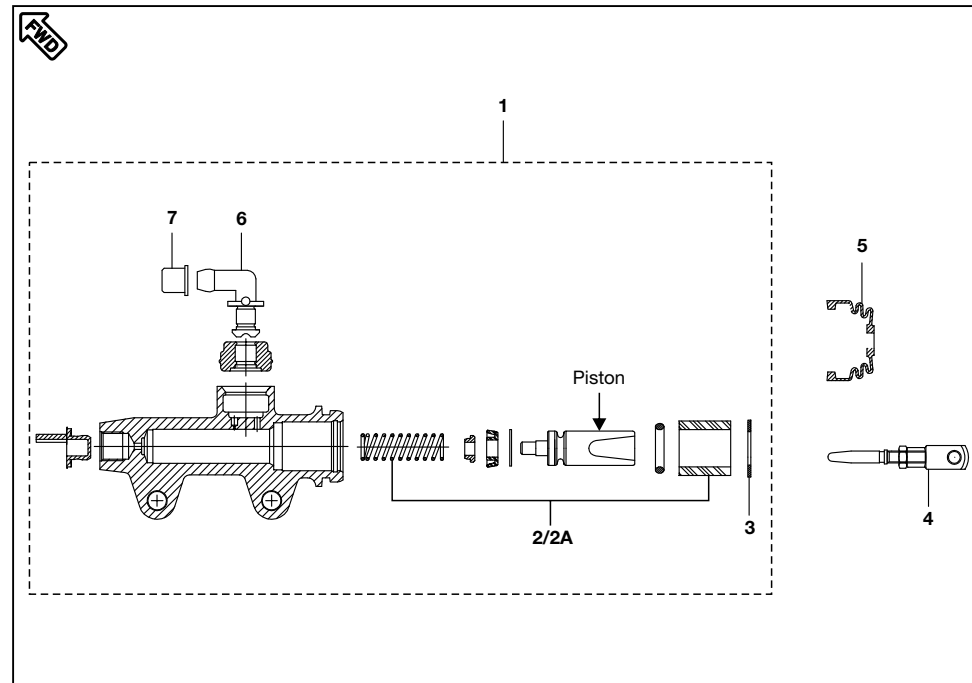
No.	Part No.	Description	Qty/ Veh.	Remarks
1	DK 1510 24	Rear disc	1	
2	39 2686 20	Ball bearing	1	
3	39 2687 20	Ball bearing	1	
4	30 1510 82	Seal oil	1	
5	DK 1510 22	Collar bearing assly.	1	
6	39 1997 15	Nut hex small	6	
7	DK 1510 09	Axel rear	1	
8	DH 1710 19	"U" nut	1	
9	36 DK00 40	Chain sprocket kit	1	Ref. page no. 68
10	DJ 1510 88	Coupling rubber	1	
11	JC 1510 16	Coupling	1	
12	DK 1510 13	Ball Bearing	1	
13	DK 1510 15	Sleeve	1	
14	DS 1510 74	Washer lock	6	
15	DS 1510 73	Stud	2	



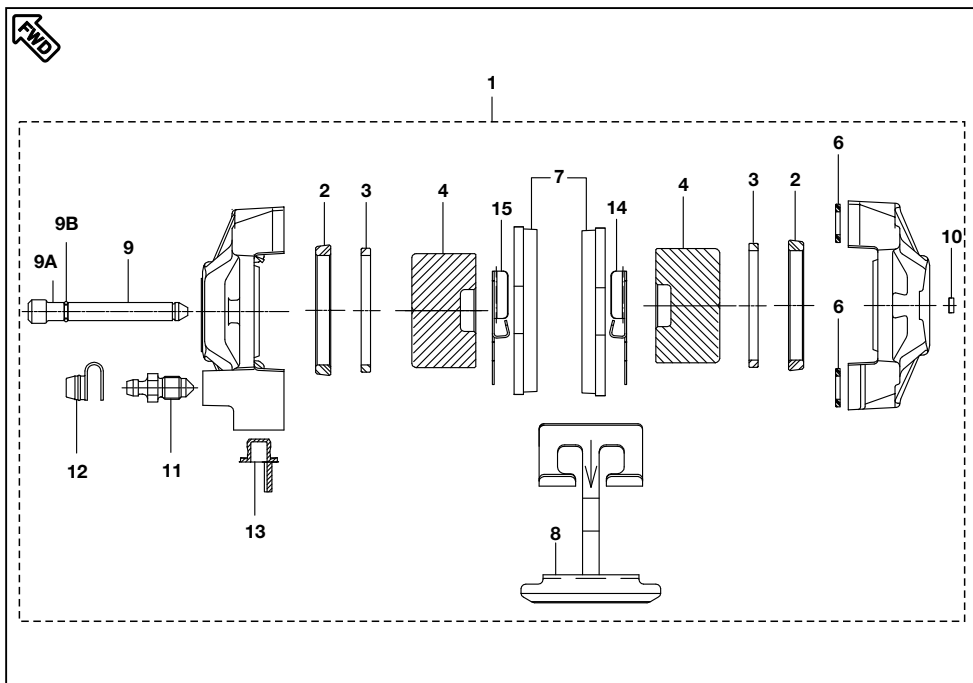
No.	Part No.	Description	Qty/ Veh.	Remarks
16	DK 1510 12	Oil Seal	1	
17	DK 1510 17	Spacer	1	
17A	DK 1510 81	Spacer	1	For Floating Type Caliper assly.
17B	DK 1510 82	Spacer	1	For Floating Type Caliper assly.
18	DG 1510 08	Washer	1	
19	DG 1510 49	Hex soc. HD bolt	6	
20	39 2036 04	Bolt Socket	6	
21	39 0787 08	Pin cotter	1	
22	DK 1510 36	Drive chain lock	1	



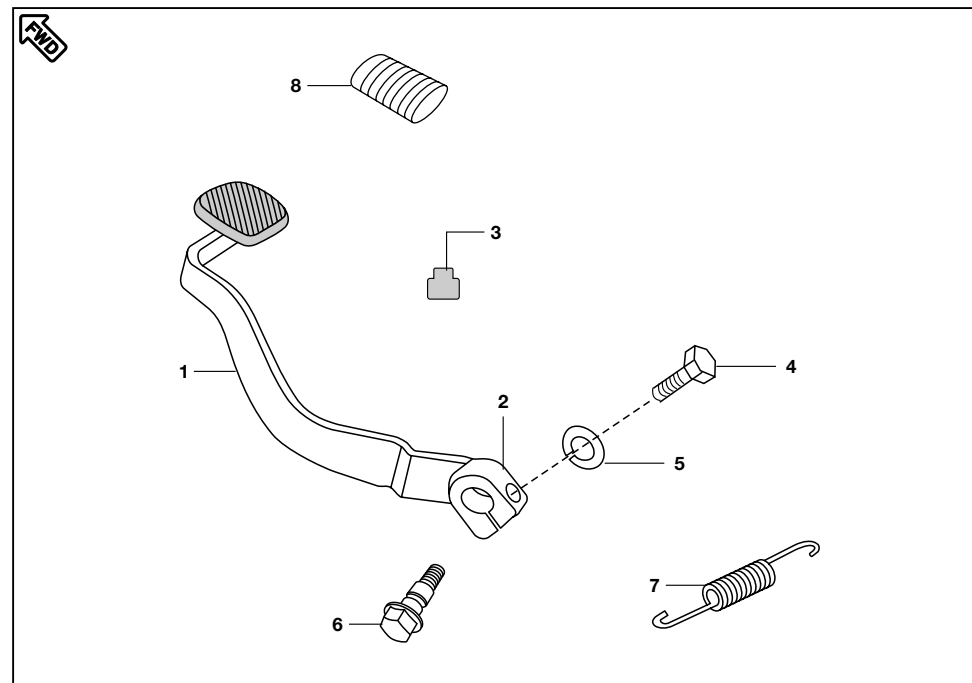
No.	Part No.	Description	Qty/ Veh.	Remarks
1	DK 1510 59	Caliper assembly rear	1	
2	DK 1510 32	Hose disc brake	1	
3	DK 1510 33	Reservoir rear disc brake	1	
4	DK 1510 34	Reservoir tube	1	
5	39 2310 04	Flange bolt	2	
6	DK 1510 23	Caliper bracket	1	
7	39 2481 04	Caliper bracket Bolt	2	
8	DK 1510 45	Reservoir Wire cap	1	
9	DK 1510 63	Clip for reservoir tube	2	
10	DK 1510 69	Banjo Bolt	1	
11	DE 1910 10	Copper Washer	1	
12	DK 1510 38	Disc Pad Modified FLOATING TYPE CALIPER ASSLY	1	
13	DK1510 83	Caliper Assly.	1	
14	39 2310 04	Bolt	2	
15	DK 1510 85	Rear brake pads	1	



No.	Part No.	Description	Qty/ Veh.	Remarks
1	DK 1510 31	Master Cylinder	1	
2	DK 1510 73	Major Kit	1	(Includes Piston)
2A	DK 1510 74	Major Kit	1	(Does not Includes Piston))
3	DK 151078	Circlip	1	
4	DK 1510 43	Push Road	1	
5	DK 1510 42	Boot	1	
6	DK 1510 76	Connector	1	
7	DK 1510 77	Cap	1	

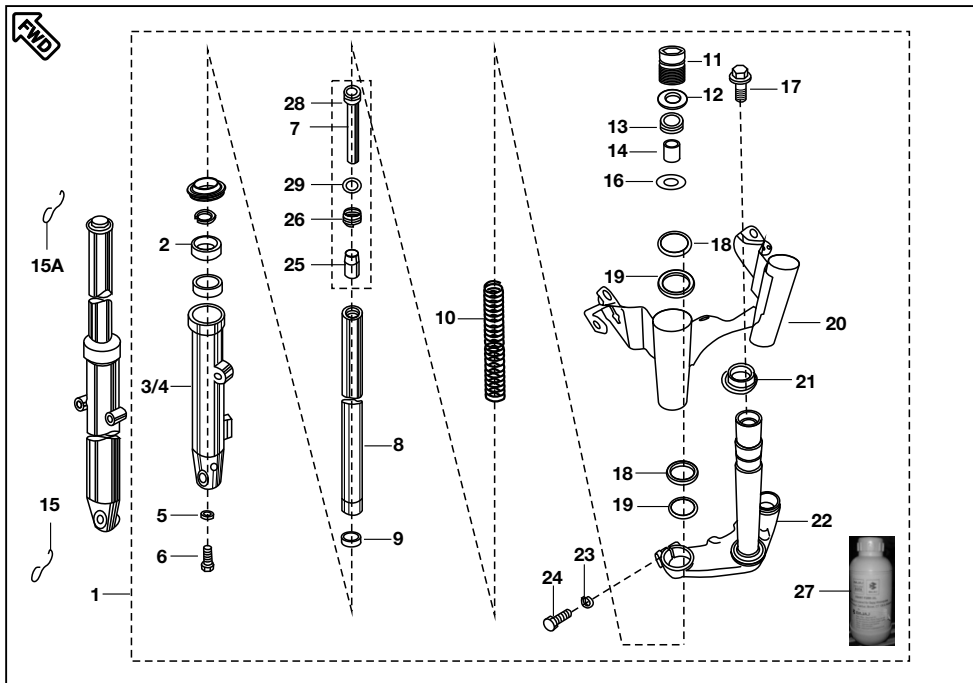


No.	Part No.	Description	Qty/ Veh.	Remarks
1	DK 1510 59	Caliper assy. Rear	1	
2	DK 1510 68	Seal	2	
-	DK 1510 71	Caliper Major Kit	1	(Includes Sr. No. 6,3,2,4)
--	DK 1510 70	Caliper Minor Kit	1	(Includes Sr. No. 6,3,2)
3	Not Serviceable	Scrapper Ring	2	
4	Not Serviceable	Piston	2	
5	Not Serviceable	Half Caliper without Mounting	--	
6	Not Serviceable	'O' Ring	--	
7	Not Serviceable	Pad	--	
8	DK 1510 41	Spring Pad	1	
9	Not Serviceable	Pin Assy.	--	
9A	DK 1510 64	Pin	1	
9B	Not Serviceable	Fork	--	
10	DK 1510 65	Circlip	1	
11	DK 1510 67	Bleeder Screw	1	
12	DK 1510 66	Bleeder cap	1	
13	Not Serviceable	Thread Protector	--	
14	Not Serviceable	Shim Mounting Side	--	
15	Not Serviceable	Shim Wheel Side	--	
16	DK 1510 88	Piston Kit (major kit) floating caliper	1	Refer Page no. 69
17	DK 1510 89	Kit Piston Seal (Minor Kit)	1	Refer Page no. 69
18	DK 1510 90	Insulator Kit floating caliper	1	Refer Page no. 69

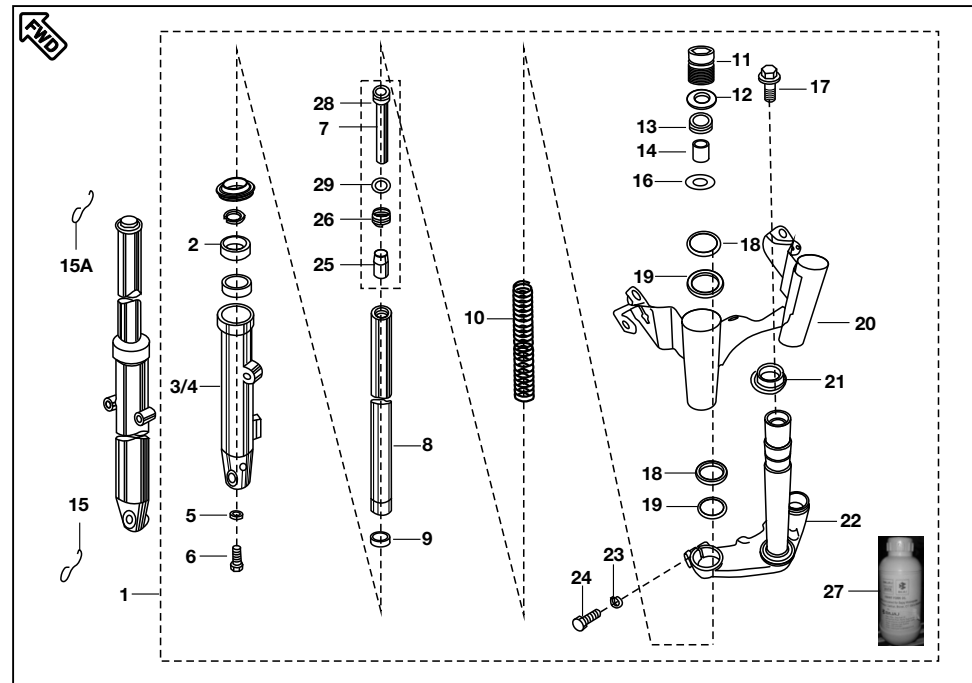


No.	Part No.	Description	Qty/ Veh.	Remarks
1	DK 1910 12	Lever Brake Pedal	1	
2	DK 1011 84	Boss lever change	1	
3	DG 1013 39	Damper	1	
4	DK 1011 86	Bolt pivot lever change	1	
5	DK 1011 85	Washer pivot bolt	1	
6	DK 1011 87	Collar pivot bolt	1	
7	DK 1910 13	Spring brake pedal	1	
8	DG 1013 39	Brake pedal rubber	1	

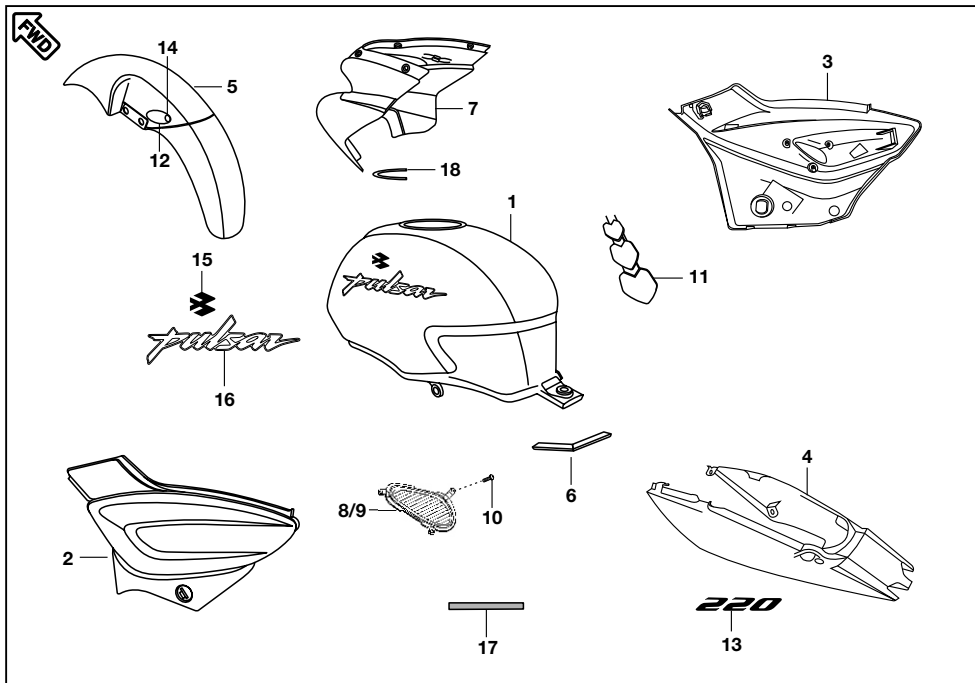




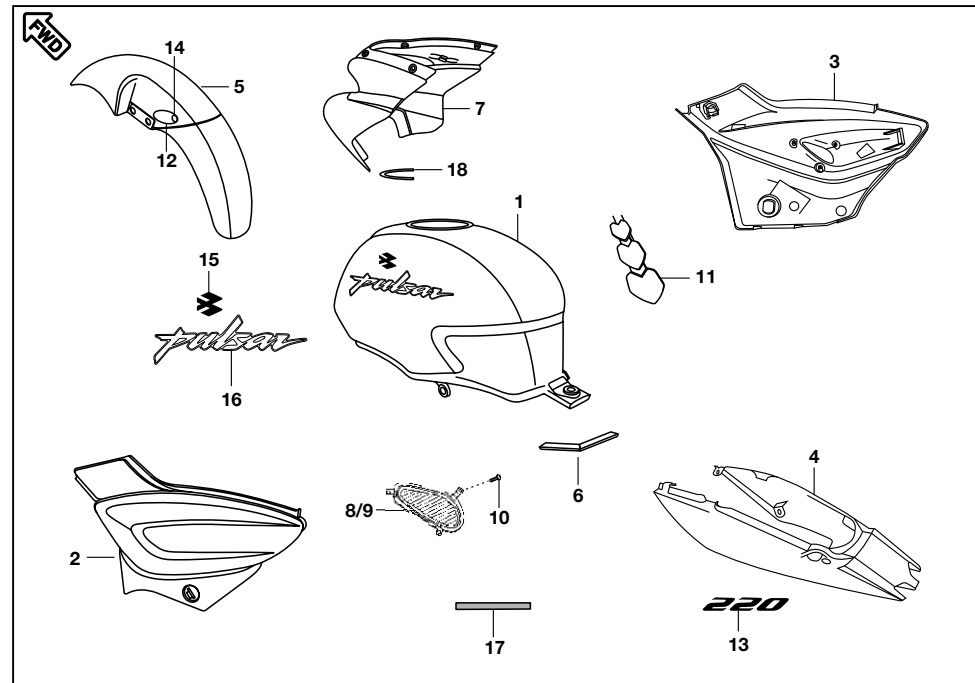
No.	Part No.	Description	Qty/ Veh.	Remarks
1	DK 1810 72	Fork front	1	
2	DK 1810 19	Oil seal	2	
3	DK 1810 56	Outer Tube LH	1	
4	DK 1810 57	Outer Tube RH	1	
5	DK 1810 07	Copper Washer	2	
6	DK 1810 06	Bolt	2	
7	DK 1810 10	Seat Pipe (Cylinder comp. fork)	2	
8	DK 1810 70	Pipe comp. suspension inner	2	
9	DK 1810 11	Slide Bush	2	
10	DK 1810 73	Spring front fork	2	
11	DK 1810 22	Bolt fork	2	
12	DK 1810 23	'O' ring	2	
13	30 1810 28	Seat fork spring	2	
14	DK 1810 71	Spacer Tube	2	
15	DK 1810 48	Clamp for brake hose lower	1	
15A	DK 1810 37	Clamp for brake hose upper	1	



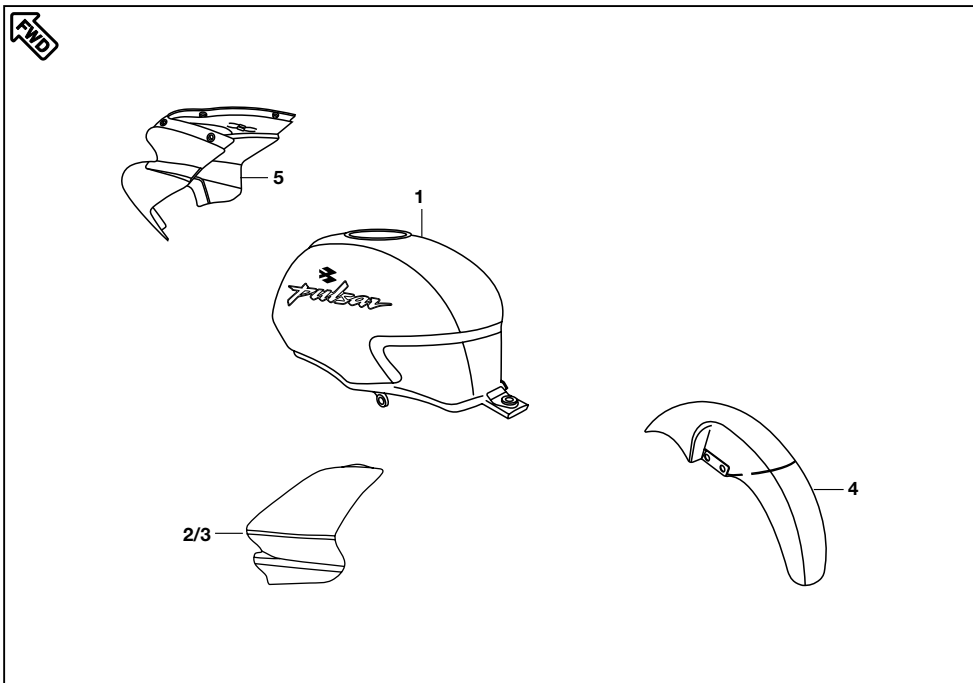
No.	Part No.	Description	Qty/ Veh.	Remarks
16	DK 1810 18	Washer	2	
17	59 0400 05	Bolt	1	
18	JC 1810 23	Cushion Rubber	2	
19	JC 1810 22	Cover Trail B	4	
20	JC 1810 24	Lamp Shade asly.	1	
21	DG 1810 05	Bearing cone	1	Included in kit 36 DV00 07
22	DK 1810 24	Holder fork under	1	
23	DK 1810 25	Spring washer	2	
24	DK 1810 08	Flange Bolt	2	
25	DK 1810 17	Guide bush	1	
26	DK 1810 13	Rebound spring	2	
27	36 3140 04	Fork Oil Bottle 160 ml	1	
28	DK 1810 09	Cap Oil Lock	2	
29	DK 1811 02	Piston Ring	2	



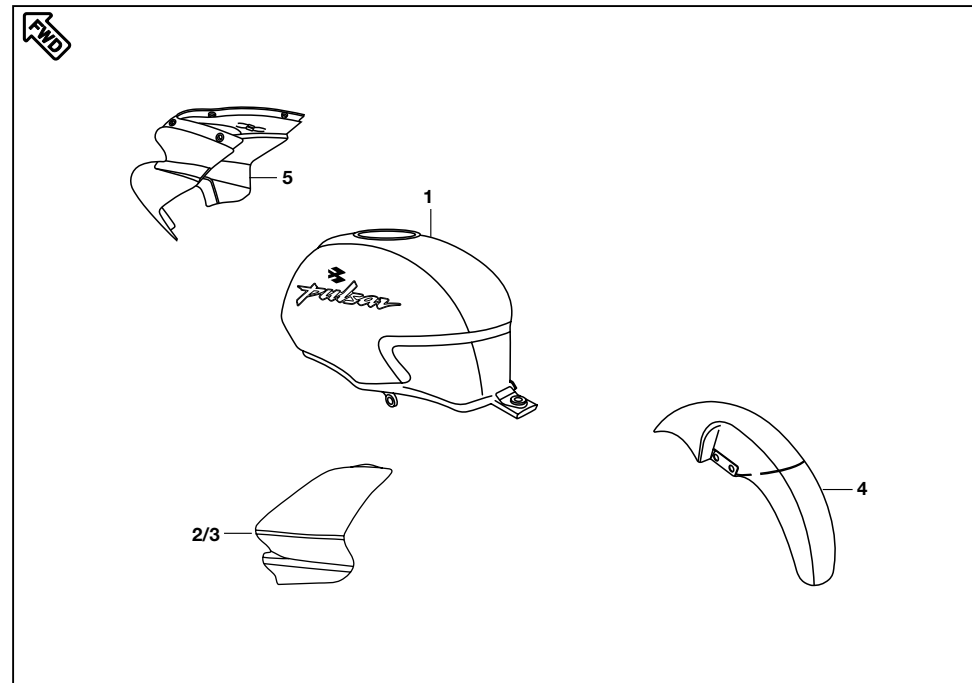
No.	Part No.	Description	Qty/ Veh.	Remarks	
1	DK 7103 2V	Fuel Tank	1	FOR WINE RED	
	DK 7103 4K	Fuel Tank	1	FOR PLASMA BLUE	
	DK 7103 4L	Fuel Tank	1	FOR GREY SILVER	
	DK 7103 4M	Fuel Tank	1	FOR MIDNIGHT BLACK	
	DK 7103 5C	Fuel Tank	1	FOR ORANGE METALLIC	
2	52 DH05 30	Side cover LH (for F&S)	1	FOR WINE RED	
	52 DH05 28	Side cover LH (for F&S)	1	FOR PLASMA BLUE	
	52 DH05 32	Side cover LH (for F&S)	1	FOR GREY SILVER	
	52 DH05 34	Side cover LH (for F&S)	1	FOR MIDNIGHT BLACK	
	52 DH05 31	Side cover RH (for F&S)	1	FOR WINE RED	
3	52 DH05 29	Side cover RH (for F&S)	1	FOR PLASMA BLUE	
	52 DH05 33	Side cover RH (for F&S)	1	FOR GREY SILVER	
	52 DH05 35	Side cover RH (for F&S)	1	FOR MIDNIGHT BLACK	
	4	DH 7308 2V	Seat Cowl Assly. (for F&S)	1	FOR WINE RED
		DH 7303 4K	Seat Cowl Assly. (for F&S)	1	FOR PLASMA BLUE
DH 7303 4L		Seat Cowl Assly. (for F&S)	1	FOR GREY SILVER	
DH 7303 4M		Seat Cowl Assly. (for F&S)	1	FOR MIDNIGHT BLACK	
DH 7303 5C		Seat Cowl Assly. (for F&S)	1	FOR ORANGE METALLIC	
5	DK 7403 2V	Front Fender	1	FOR WINE RED	
	DK 7403 4K	Front Fender	1	FOR PLASMA BLUE	
	DK 7403 4L	Front Fender	1	FOR GREY SILVER	
	DK 7403 4M	Front Fender	1	FOR MIDNIGHT BLACK	



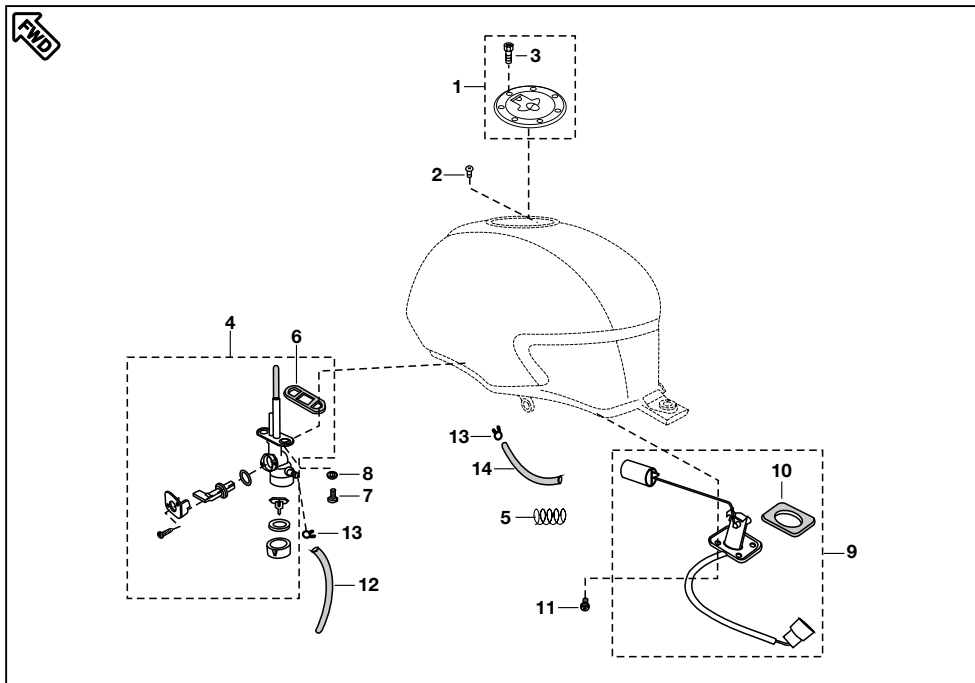
No.	Part No.	Description	Qty/ Veh.	Remarks
6	DH 1410 20	Seat tape	1	
7	DK 7401 2V	Fairing	1	FOR WINE RED
	DK 7401 4K	Fairing	1	FOR PLASMA BLUE
	DK 7401 4L	Fairing	1	FOR GREY SILVER
	DK 7401 4M	Fairing	1	FOR MIDNIGHT BLACK
	DK 7401 5C	Fairing	1	FOR ORANGE
8	DK 1611 23	Cover Side Mesh LH	1	(For F&S)
9	DK 1611 24	Cover Side Mesh RH	1	(For F&S)
10	59 0200 01	Self tap screw	6	(For F&S)
11	DK 1410 15	Tank Pad	1	(For F&S)
12	DS 1611 25	Guide cable	1	
13	DK 1612 55	Decal for seat cowl	1	Common for all
	DK 1612 57	Decal for seat cowl	1	FOR ORANGE
14	DJ 1610 69	Nail guide cable	1	
15	JC 1410 49	B Monogram	1	For Red Blue Black
	JC 1410 53	B Monogram	1	For Silver
16	JC 1410 39	Pulsar Tank Decal	1	For Red Blue Black
	JC 1410 40	Pulsar Tank Decal	1	For Silver
17	DK 1612 10	Foam Tape II	16	
18	DK 1810 74	Beading For Fairing	1	



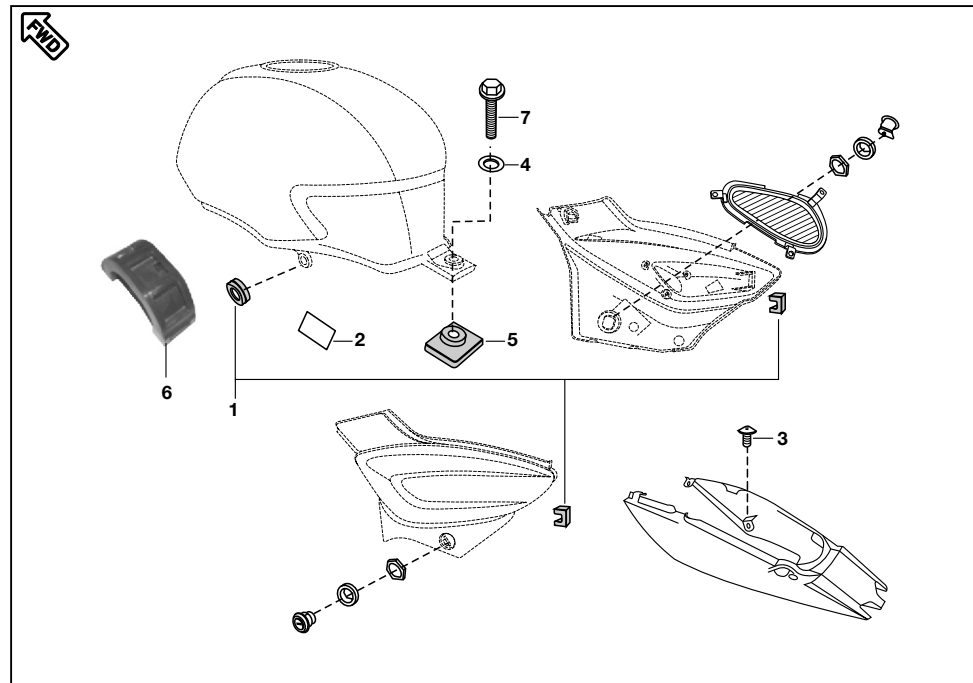
No.	Part No.	Description	Qty/ Veh.	Remarks
1	DK 7105 2V	Fuel Tank	1	FOR WINE RED
	DK 7105 4K	Fuel Tank	1	FOR PLASMA BLUE
	DK 7105 4L	Fuel Tank	1	FOR GREY SILVER
	DK 7105 4M	Fuel Tank	1	FOR MIDNIGHT BLACK
	DK 7105 5C	Fuel Tank	1	FOR ORANGE
2	JC 7201 2V	Tank Flap LH	1	FOR WINE RED
	JC 7201 4K	Tank Flap LH	1	FOR PLASMA BLUE
	JC 7201 4L	Tank Flap LH	1	FOR GREY SILVER
	JC 7201 4M	Tank Flap LH	1	FOR MIDNIGHT BLACK
	JC 7201 5C	Tank Flap LH	1	FOR ORANGE
3	JC 7202 2V	Tank Flap RH	1	FOR WINE RED
	JC 7202 4K	Tank Flap RH	1	FOR PLASMA BLUE
	JC 7202 4L	Tank Flap RH	1	FOR GREY SILVER
	JC 7202 4M	Tank Flap RH	1	FOR MIDNIGHT BLACK
	JC 7202 5C	Tank Flap RH	1	FOR ORANGE
4	DK 7304 2V	Front Fender	1	FOR WINE RED
	DK 7304 4K	Front Fender	1	FOR PLASMA BLUE
	DK 7304 4L	Front Fender	1	FOR GREY SILVER
	DK 7304 4M	Front Fender	1	FOR MIDNIGHT BLACK



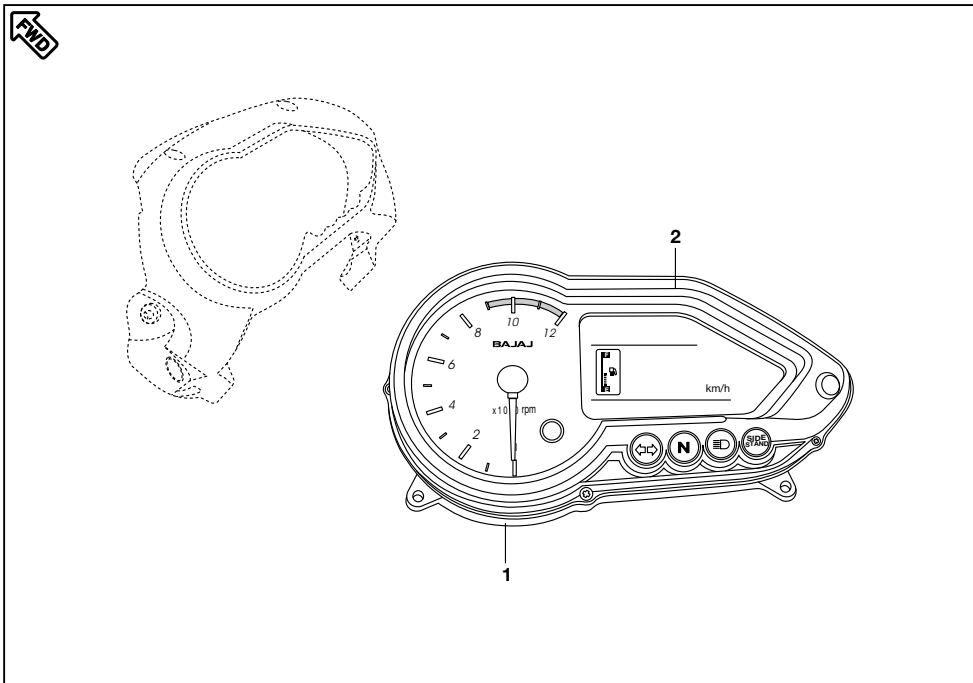
No.	Part No.	Description	Qty/ Veh.	Remarks
5	DH 7401 2V	Fairing	1	FOR WINE RED
	DH 7401 4K	Fairing	1	FOR PLASMA BLUE
	DH 7401 4L	Fairing	1	FOR GREY SILVER
	DH 7401 4M	Fairing	1	FOR MIDNIGHT BLACK
	DH 7401 5C	Fairing	1	FOR ORANGE



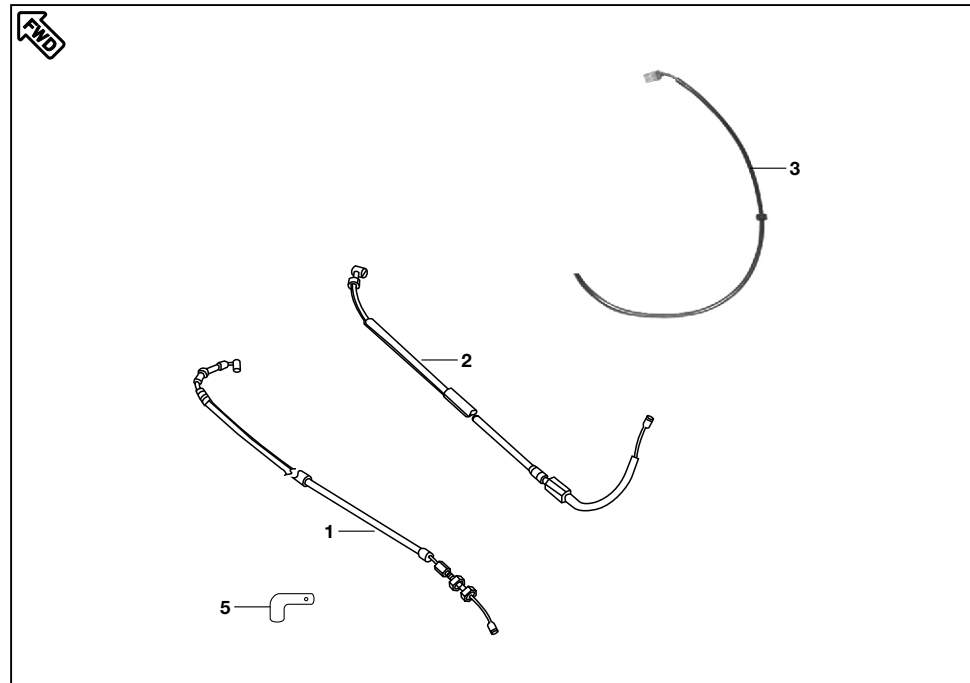
No.	Part No.	Description	Qty/ Veh.	Remarks
1	DK 1410 14	Cap Assly. Tank	1	
2	39 0840 01	Pan head screw	1	
3	39 2381 04	Hex. Soc Hd. cap screw	7	
4	DK 1410 01	Tap Assly	1	
5	JC 1410 34	Spring drain tube	1	
6	30 1410 36	Packing	1	
7	DD 1410 22	Bolt flanged	2	
8	39 0740 11	Plain Washer	2	
9	DK 2010 65	Gauge Fuel (Tank Unit)	1	
10	39 2758 21	Gasket fuel Gauge	1	
11	30 1410 32	Bolt	4	
12	DJ 1410 06	Tube fuel	1	Alt. 52 DJ03 13
13	BA 1220 03	Pipe clip	1	
14	DH 1410 24	Drain tube	1	



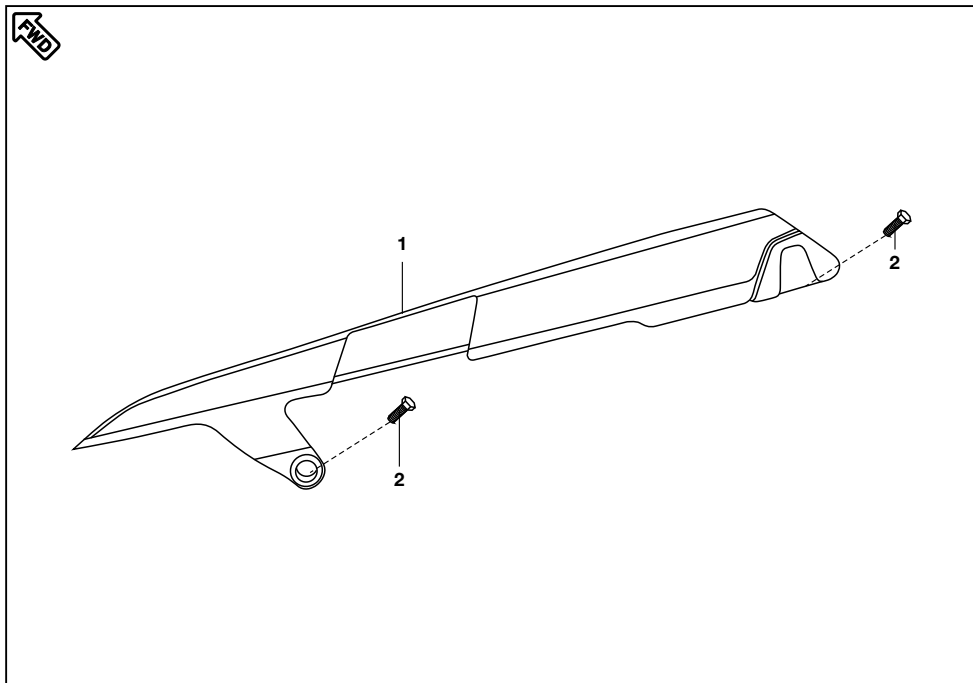
No.	Part No.	Description	Qty/ Veh.	Remarks
1	DK 1611 85	Grommet Kit For side cover	1	Ref. Page No. 69
2	DH 1410 31	Tape tank inner	2	
3	39 1607 01	Screw	2	
4	39 2424 11	Plain Washer	1	
5	DH 1410 23	Damper Rear	1	
6	DJ 1410 08	Damper front	2	
7	39 1556 04	Flanged Bolt	1	



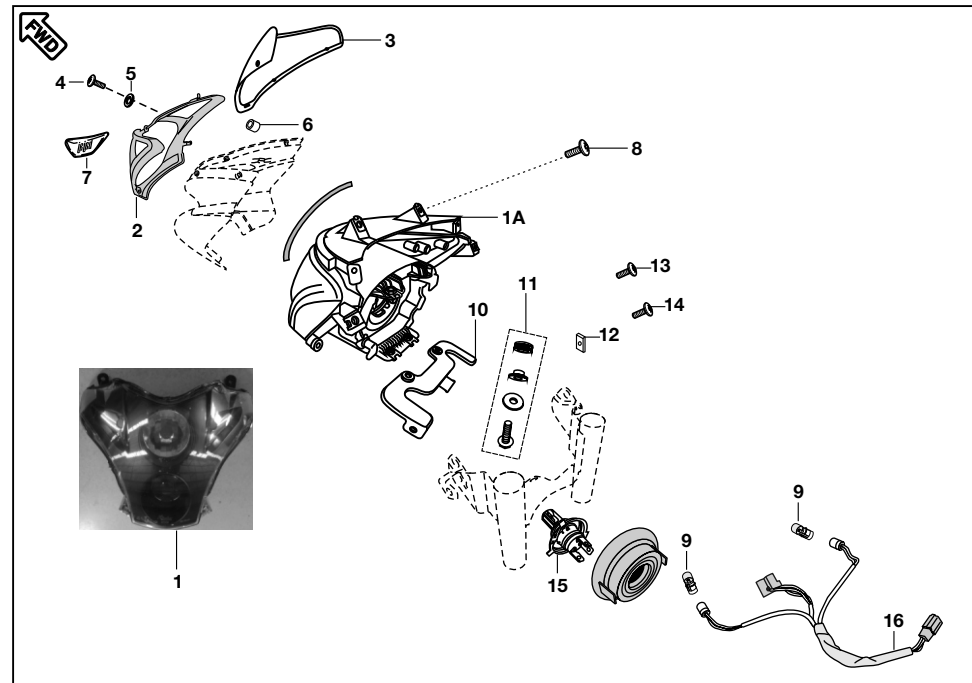
No.	Part No.	Description	Qty/ Veh.	Remarks
1	JC 1910 18	Meter Assly / Instrument Cluster	1	(For F)
	JC 1910 14	Instrument Cluster	1	(For S)
2	DJ 2011 59	Speedometer top cover	1	
3	DJ 2011 82	Speedo gasket	1	
4	JH 1814 06	Beading Speedo	1	



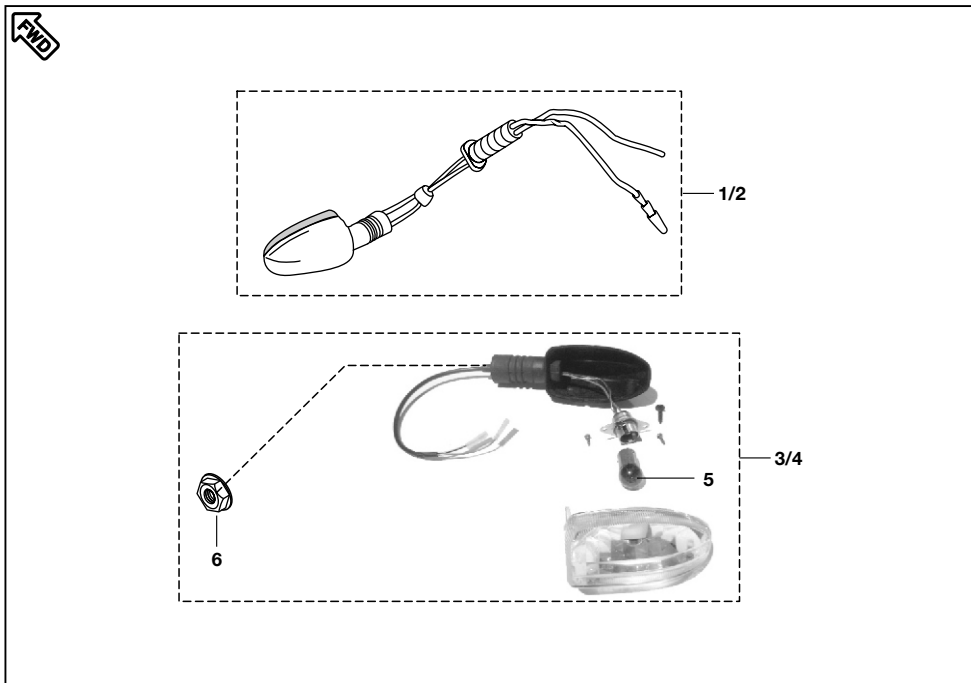
No.	Part No.	Description	Qty/ Veh.	Remarks
1	JC 1910 19	Assembly Throttle	1	
2	JC 1910 04	Cable Clutch	1	
3	DK 2010 98	Sensor speedometer cable	1	(F) With Sleeve
4	36 DV15 04	Screw Kit	1	
5	JC 2010 46	Stopper	1	



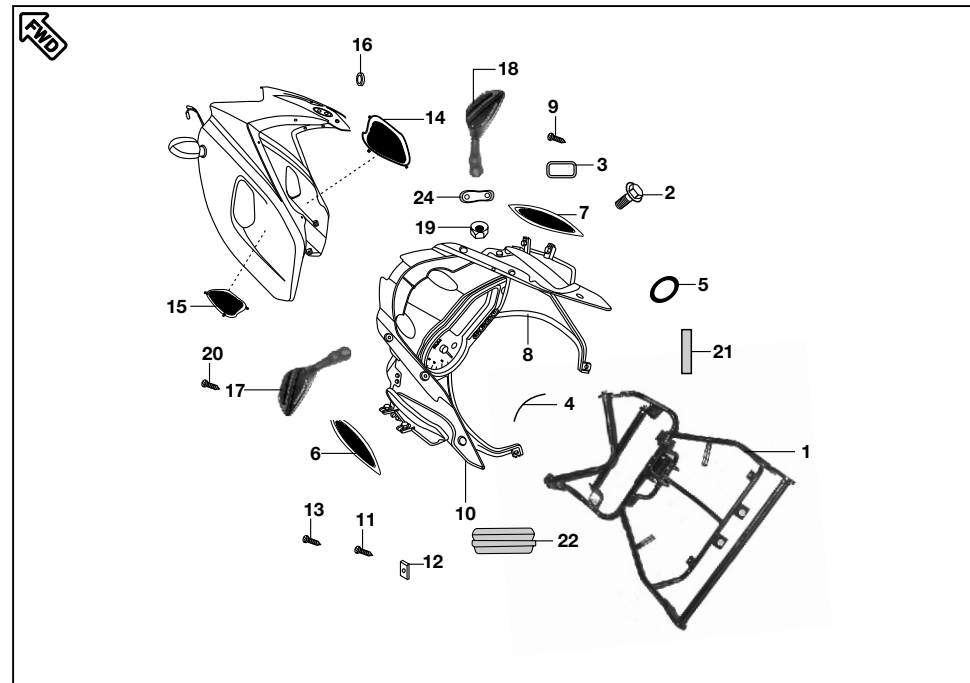
No.	Part No.	Description	Qty/ Veh.	Remarks
1	DK 1612 50	Cover chain	1	
2	DS 1612 24	Bolt	2	



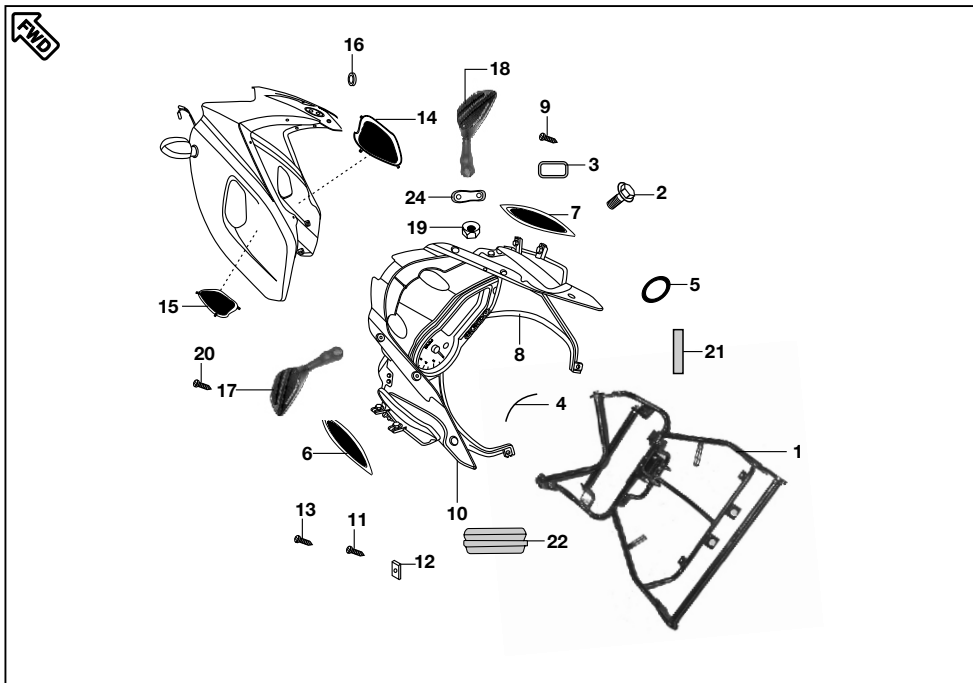
No.	Part No.	Description	Qty/ Veh.	Remarks
1	DK 2010 56	Head Lamp assly. without bulb	1	(For F)
1A	DJ 2011 76	Head Lamp assly. without bulb	1	(For S)
2	DJ 1811 20	Back cover	1	
3	DK 1610 69	Wind Shield	1	(For F)
	DJ 1810 33	Wind Shield	1	(For S)
4	DF 1810 98	Bolt	4	
5	39 2141 24	Non Metallic Washer	4	
6	DL 1810 10	Well Nut	4	
7	DK 1612 08	Decal Wind Shield	1	
8	39 1907 01	M5 x 15L mushroom HD	2	
9	DK 2010 44	Bulb	2	
10	DH 1810 52	Fairing mounting upper bracket	1	
11	36 DK00 21	Kit hardware mtg. bracket	1	Ref. page no. 69
12	DJ 1810 65	Clip Nut	4	
13	39 0716 01	Screw pan cross	2	
14	39 1524 01	Screw pan cross	2	
15	DK 2010 43	Headlight bulb	2	(For F)
	JC 2010 09	Headlight bulb	1	(For S)
16	DK 2011 17	Wiring harness for HL	1	(For F)
	DJ 2012 30	Wiring harness for HL	1	(For S)



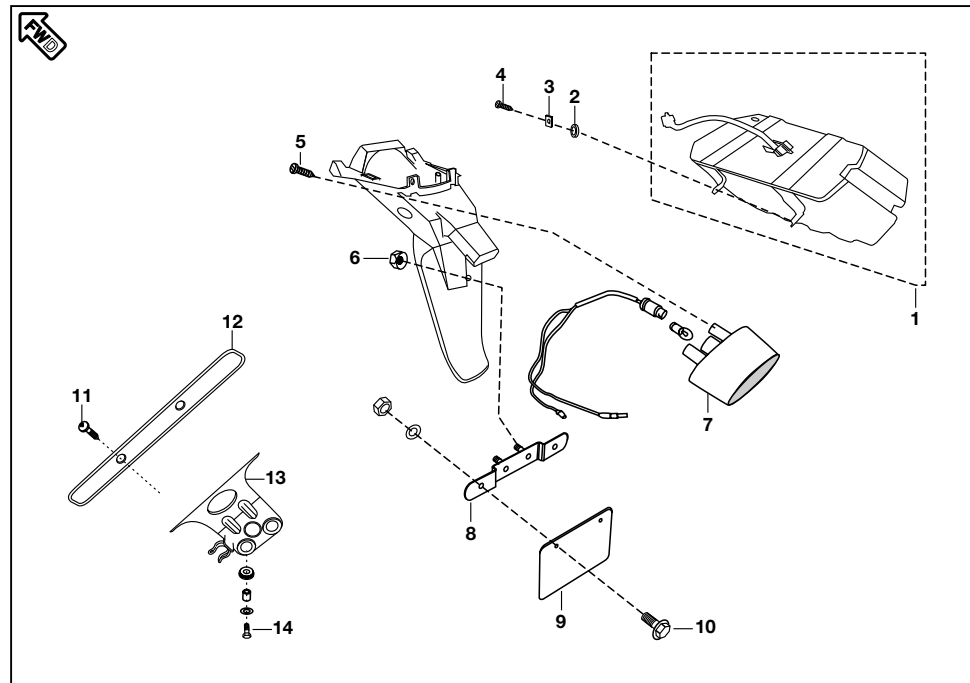
No.	Part No.	Description	Qty/ Veh.	Remarks
1	DJ 2012 08	Indicator front LH	1	
2	DJ 2012 09	Indicator front RH	1	
3	DJ 2012 06	Indicator rear LH	1	
4	DJ 2012 07	Indicator rear RH	1	
5	GH 2010 12	Lamp	1	
6	39 1970 15	Hex Nut Flange	4	



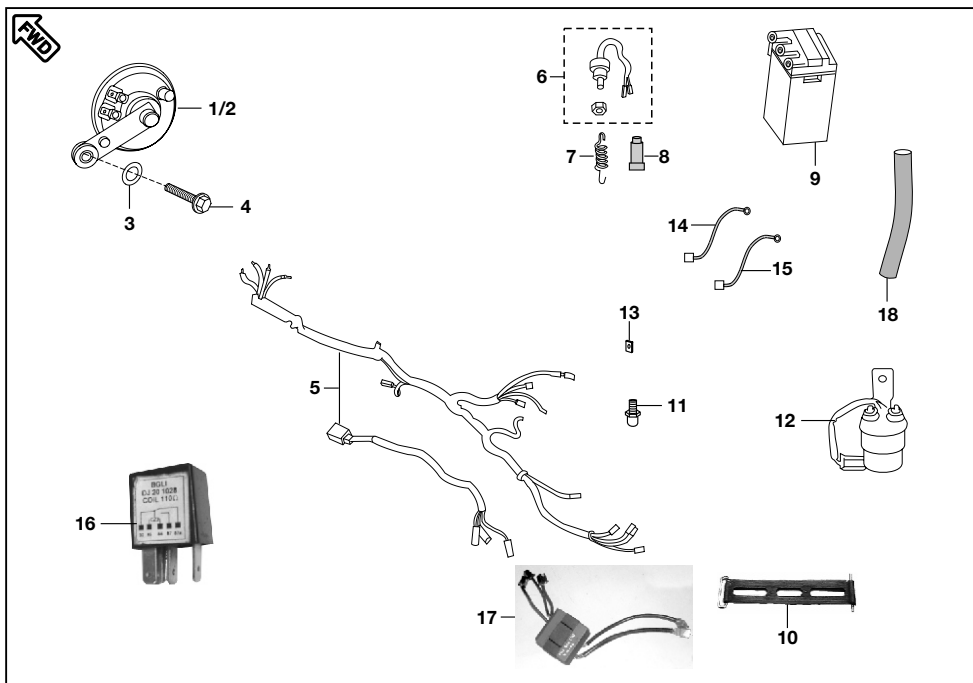
No.	Part No.	Description	Qty/ Veh.	Remarks
1	DK 1610 78	Faring mtg. structure	1	Alt. 52 DK01 44
2	39 1957 04	Flange bolt	2	
	39 1956 04	Flange bolt	2	
3	DK 1610 81	Rubber grommet Fairing mtg.	4	
4	DK 1610 82	Sleeve Fairing	1	
5	DK 1611 26	Damper for fairing	4	
6	DK 1610 70	Fairing air intake LH	1	
7	Dk 1610 71	Fairing air intake RH	1	
8	DK 1610 72	Fairing under cover	1	
9	59 0200 01	Self tapping screw	4	
10	DK 1610 73	Fairing back cover assly.	1	
11	39 1778 02	Self tapping screw for speedo	1	
12	DJ 1612 29	Clip nut	1	
13	39 1907 01	Screw	12	
14	DK 1611 76	Fairing mesh LH	1	
15	DK 1610 77	Fairing mesh RH	1	



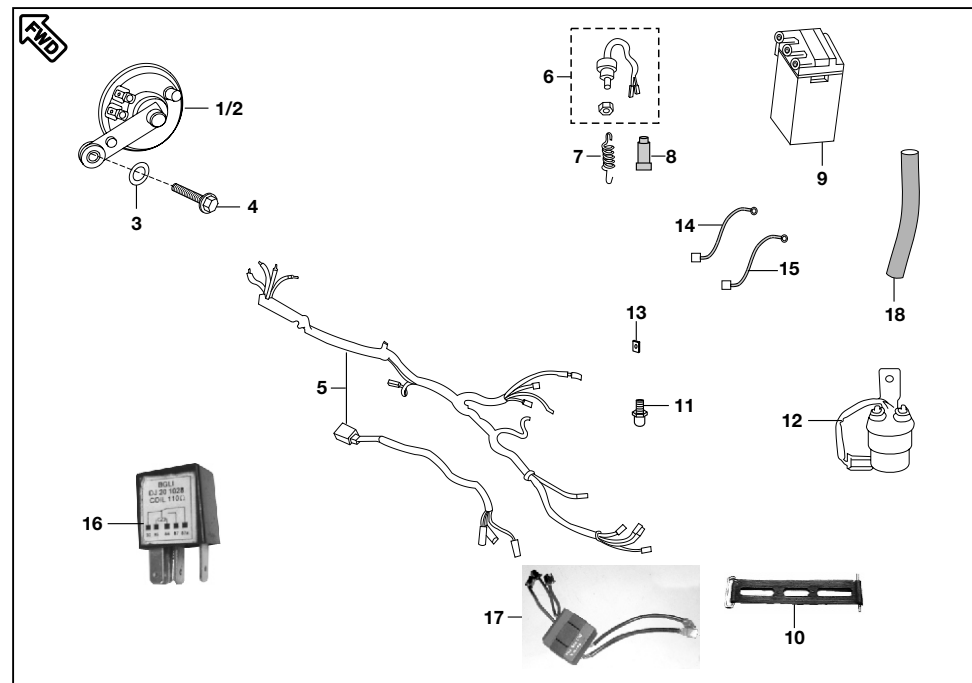
No.	Part No.	Description	Qty/ Veh.	Remarks
16	39 1918 24	Washer	6	
17	DK 2210 14	Mirror assly. LH	1	(For F)
	DJ 2010 03	Mirror assly. LH	1	(For S)
18	DK 2210 15	Mirror assly. RH	1	(For F)
	DJ 2010 04	Mirror assly. RH	1	(For S)
19	DK 2210 01	Nut for mirror	1	
20	59 0200 01	Screw (self tapping)	6	
21	DK 1612 10	Tape	16	
22	JN 1814 06	Beading	1	
23	DK 1611 52	Nylon bush for fairing	2	
24	DK 1611 25	Rubber for mirror	2	



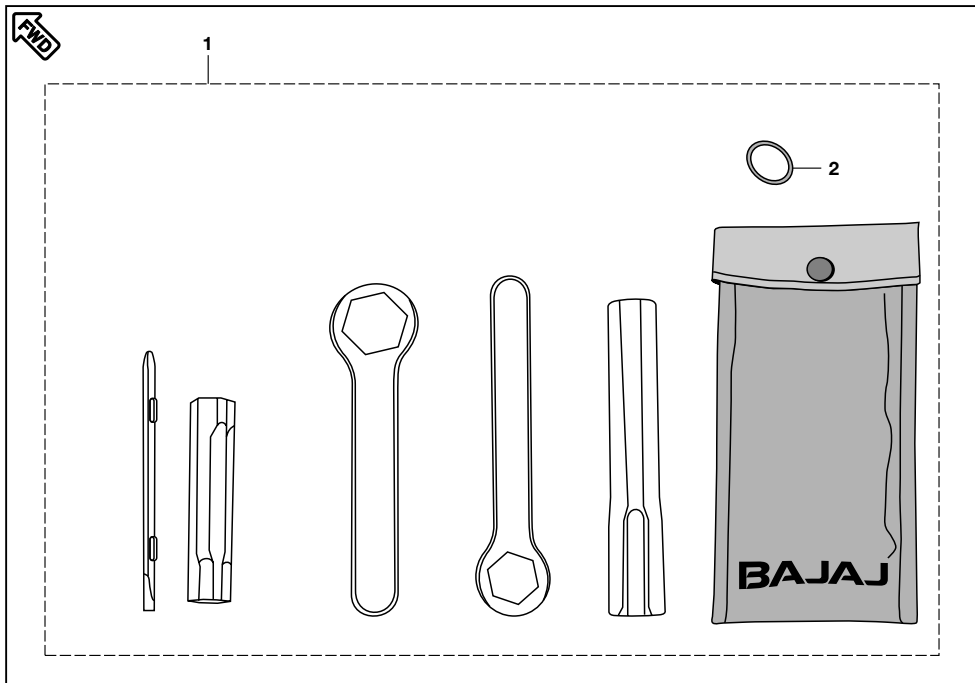
No.	Part No.	Description	Qty/ Veh.	Remarks
1	DK 2010 03	Tail light with Lamp	1	
2	DH 1612 93	Damper	2	
3	DK 1611 53	Clip Nut	4	
4	59 0100 13	Screw pan cross	4	
5	39 0705 01	Truss Screw	2	
6	39 1972 15	Bolt flange	2	
7	JW 4010 11	No. Plate illumination	1	
8	DJ 1610 72	Rear No. plate bkt.	1	
9	DP 1611 45	Number plate Rear	1	
10	39 1680 04	Hex Flanged Bolt	2	
11	39 1783 01	Truss Screw	2	For Front No. Plate
12	DP 1611 44	Number plate front	1	
13	DS 1810 26	No. plate mounting bracket	1	(For F)
	JC 1610 26	No. plate mounting bracket	1	(For S)
14	39 1773 04	Bolt flange	2	
15	DK 1611 64	Blinker mounting bracket	1	



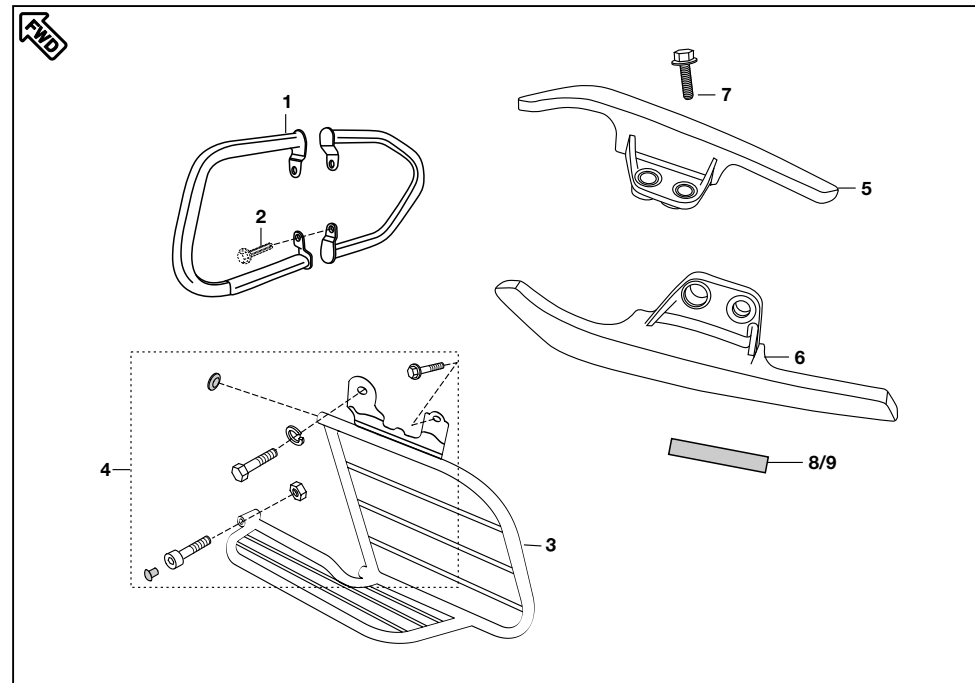
No.	Part No.	Description	Qty/ Veh.	Remarks
1	DK 2011 14	Horn LH stay	1	(For F)
	DK 2010 37	Horn LH stay	1	(For S)
2	DK 2011 15	Horn RH stay	1	(For F)
	DK 2010 38	Horn RH stay	1	(For S)
3	39 1507 11	Plain Washer	1	
4	39 1956 04	Flange Bolt	1	
5	JC 2010 41	Wiring Harness	1	(For F)
	JC 2010 37	Wiring Harness	1	(For S)
6	31 2010 79	Rear Brake Switch	1	Alt. DS 2010 29
7	DK 1910 14	Spring Brake Switch	1	
8	DH 2010 19	Grommet Rear Brake Switch	1	
9	DJ 2011 25	Battery (12V-9A)	1	N.S.
10	DJ 1612 47	Band Battery	1	
11	39 1551 04	Flange Bolt	1	
12	DK 2010 78	Starter Relay / Damper	1	
13	DJ 1810 65	Clip Nut	4	



No.	Part No.	Description	Qty/ Veh.	Remarks
14	JC 2010 27	Cable assly. (Battery to St. Relay)	1	
15	DJ 2011 40	Cable assly. (Battery to Earth)	1	
16	AL 2010 12	Main relay	1	
17	JC 2010 40	B.C.U.	1	(For F)
	JC 2010 16	B.C.U.	1	(For S)
18	JD 4018 06	Battery Drain Pipe	1	



No.	Part No.	Description	Qty/ Veh.	Remarks
1	DK 2210 11	Tool Kit	1	to service separately
*	DF 2010 43	Tool Driver	1	
*	DJ 2210 13	Tool Bag	1	
*	DJ 2210 12	Tool bar	1	
*	DG 2210 10	Tool wrench	1	
2	DK 2210 24	"O" ring for tool kit	2	



No.	Part No.	Description	Qty/ Veh.	Remarks
1	36 DK00 33	Leg Guard Kit	1	
2	39 2310 04	Flange bolt	4	
3	DK 1611 76	Sari Guard Assly.	1	
4	36 DK00 23	Kit hardware sari guard	1	Ref. page no. 69
5	DK 1611 47	Grab handle LH	1	Black color
	DK 1612 17	Grab handle LH	1	
6	DK 1611 48	Grab handle RH	1	Black color
	DK 1612 18	Grab handle RH	1	
7	39 2310 04	Bolt Flange	4	
8	DJ 1610 79	Foam LH For grab	1	
9	DJ 1610 80	Foam RH For grab	1	

## KIT LIST



Sr. No.	Kit Part No.	Kit Description	Consisting of Following Parts		
			Part No.	Description	Qty./Kit
1	36DS1001	Cyl. Head O Ring Kit	39239121	O Ring (Cover tappet)	2
			39128321	O ring	2
2	DK101327	Valve Kit	DK101052	Valve Intake	1
			DK101011	Valve Exhaust	1
3	DK101326	Valve Repair Kit	DK101247	Retainer valve spring	2
			DK101108	Spring valve inner	2
			DK101110	Spring valve outer	2
			DK101246	Seat valve spring	2
4	DK101330	Guide Chain Kit	DK101611	Guide chain (Tight)	1
			DK101059	Guide Chain (slack)	1
5	DK101328	Ring set piston	DK101049	Ring piston top	1
			DK101050	Ring piston second	1
			DK101051	Ring piston oil	1
6	36DK0007	Kit centrifugal oil filter	39220011	Washer	1
			DH101234	Gasket centrifugal oil filter	1
			DH101640	Oval screw	3
			DH101066	Join oil delivery	1
			DH101067	Spring oil delivery	1
			39219908	Pin oil delivery joint	1
7	DK101334	Set Damper (cover magneto)	DK101191	Damper Cover Magneto	1
			DH101292	Damper A Cover LH RR	1
			DH101294	Damper B Cover LH RR	1
8	DK101333	Set of Plate (cover magneto)	DK101192	Plate Damper	1
			DH101293	Plate Damper Cover LH RR	1
9	36DK0011	Kit hardware engine mounting	39231204	Bolt flange	4
			39197015	Nut flange	8
			39241304	Bolt flange	1
			DH161245	U Nut	3
10	36DV0007	Bearing cone kit	DG181045	Bearing cone	1
			DG181046	Bearing race	1
			DG181047	Upper bearing race	1
			DG181005	Lower bearing race	1
11	36DK0012	Kit bush rear shock absorber	39071411	Plain washer	8
			39071215	Dome cap nut	2
			39073712	Spring washer	2
12	36DK0013	Kit hardware pillion	DJ161186	Plait side pillion step	2
			DH161061	Pin pillion set	2
			30141031	"O" ring	2
			39104011	Plain washer	2
			39078408	Split pin	2
13	36DK0040	Chain sprocket kit	DV101048	Sprocket drive	1
			DK151010	Sprocket	1
			DK151060	Chain	1

## KIT LIST



	Kit Part No.	Kit Description	Consisting of Following Parts		
			Part No.	Description	Qty./Kit
14	36DK0019	Hardware holder kit LH	30191024	Screw	1
			30191017	Nut	1
			39021911	Plain washer	1
			39072504	Hex bolt	1
15	36DK0021	Kit hardware mtg. bracket	DJ181029	Collar fearing mtg.	1
			DJ181036	Grommet fearing structure	1
			39021111	Plain washer	1
			39155304	Flange bolt	1
16	DK161185	Grommet kit for side cover	DH161158	Grommet side cover front	2
			DH161133	Grommet side cover rear	2
17	36DK0023	Kit hardware saree guard	DH161255	Bolt special	1
			39078912	Washer spring	1
			39008004	Bolt hexagaon	1
			59040013	Bolt hex socket	1
			39029615	Hexagaon nut	1
			DH161144	Cap saree guard	1
			DD221003	Plug	1
18	36DK0050	St. Mtr. Repair Kit	DK111017	Brush assly. kit	1
			DK111019	'O' ring for spigot	1
			DK111020	Oil Seal for yoke	1
19	36JC0015	Starter Motor Repair kit	JC111018	Drive end bracket	1
			JC111019	Bracket rear end	1
20	36DK0058	Piston valve assly. Kit		Piston valve assly.	1
				Spring (CO)	1
				Diaphragm	1
				Holder	1
				Spring	1
				E Spring	1
				Ring	1
				Jet Needle	1
				Ring	1
				Washer	1
21	DK121048	Pilot screw kit		O ring	1
				Adjuster	1
				Spring	1
				Washer	1
				O ring	1
22	DK161241	Vacuum Adjuster kit		Spring	1
				Adjust Screw	1
				Packing	1





## PART INDEX



Part No.	Figure No.	Page No.
39 1765 11	4	22
39 1769 04	2	39
39 1773 04	14	63
39 1778 02	11	61
39 1780 01	12	20
39 1783 01	11	63
39 1880 20	11	18
39 1902 04	6	24
39 1902 04	14	26
39 1907 01	8	59
39 1907 01	13	61
39 1918 24	16	62
39 1931 20	6	6
39 1943 04	19	47
39 1956 04	4	64
39 1956 04		61
39 1957 04	2	61
39 1967 04	10	29
39 1970 15	6	60
39 1972 15	6	63
39 1990 20	22	16
39 1997 15	6	40
39 2017 19	5	3
39 2036 04	20	41
39 2132 17	5	5
39 2141 24	5	59
39 2152 20	5	7
39 2157 04	7	29
39 2158 11	2	8
39 2160 11	9	8
39 2165 11	3	6
39 2180 06	8	12
39 2181 06	2	5
39 2181 06	11	12
39 2181 06	15	2
39 2183 04	2	6
39 2185 20	10	13
39 2188 19	4	13
39 2189 19	11	13
39 2190 19	12	13
39 2194 21	6	25
39 2200 11	17	19
39 2203 07	8	6
39 2241 20	2	37
39 2310 04	2	67

Part No.	Figure No.	Page No.
39 2310 04	5	42
39 2310 04	7	67
39 2310 04	13	29
39 2310 04	14	42
39 2311 04	14	29
39 2381 04	3	54
39 2412 04	8	29
39 2424 11	4	55
39 2448 11	24	14
39 2453 04	6	11
39 2457 11	15	29
39 2475 04	8	32
39 2481 04	7	42
39 2557 17	7	7
39 2583 20	6	12
39 2601 20	9	12
39 2603 20	8	13
39 2606 07	7	10
39 2608 01	10	2
39 2637 04	8	21
39 2639 04	6	10
39 2647 15	6	1
39 2669 21	1	4
39 2686 20	2	40
39 2687 20	3	40
39 2758 21	10	54
52 DH01 69	1	25
52 DH01 77	10	7
52 DH05 28	2	50
52 DH05 29	3	50
52 DH05 30	2	50
52 DH05 31	3	50
52 DH05 32	2	50
52 DH05 33	3	50
52 DH05 34	2	50
52 DH05 35	3	50
52 DH06 24	1	17
52 DK01 67	1	33
52 DK01 68	2	33
52 JN01 36	2	1
59 0100 13	4	63
59 0200 01	9	61
59 0200 01	10	51
59 0200 01	20	62
59 0400 05	17	49

## PART INDEX



Part No.	Figure No.	Page No.
59 0400 23	8	1
59 0400 40	2	34
59 0400 43	11	29
59 0500 02	2	2
59 0500 02	2	13
59 0500 02	3	12
59 1100 02	9	3
59 2000 07	9	28
59 2000 06	9	13
59 2000 07	17	28
59 2000 27	7	12
59 2100 06	5	13
AL 2010 12	16	65
AP 1010 43	8	17
AP 1210 64	6	22
BA 1220 03	13	54
CS 1011 28	14	4
DD 1010 62	15	4
DD 1110 12	10	26
DD 1210 07	10	5
DD 1410 22	7	54
DD 2010 24	13	26
DE 1510 08	6	37
DE 1510 12	5	37
DE 1510 37	6	39
DE 1510 43	7	39
DE 1510 46	4	39
DE 1510 47	5	39
DE 1510 48	3	39
DE 1510 51	9	39
DE 1510 52	10	39
DE 1910 10	5	38
DE 1910 10	11	42
DE 1910 11	4	38
DE 1910 29	13	38
DE 1910 30	10	38
DE 1910 33	6	38
DE 1910 35	15	38
DE 1910 43	1	38
DF 1611 02	9	35
DF 1810 98	4	59
DF 2010 43	1	66
DG 1010 29	4	3
DG 1013 39	3	45
DG 1013 39	8	45

Part No.	Figure No.	Page No.
DG 1014 18	7	15
DG 1510 05	4	37
DG 1510 07	13	37
DG 1510 08	9	37
DG 1510 08	18	41
DG 1510 49	10	37
DG 1510 49	19	41
DG 1710 18	5	31
DG 1710 19	7	31
DG 1710 34	10	31
DG 1710 38	2	31
DG 1810 05	21	49
DG 1810 08	5	46
DG 2210 10	1	66
DH 1010 48	8	4
DH 1010 64	9	6
DH 1010 65	11	6
DH 1010 72	2	7
DH 1010 79	4	8
DH 1010 79	13	8
DH 1010 84	8	8
DH 1011 11	15	8
DH 1011 13	6	26
DH 1011 41	4	15
DH 1011 42	5	15
DH 1011 44	3	11
DH 1011 46	3	10
DH 1011 52	21	16
DH 1011 54	12	15
DH 1011 63	16	28
DH 1011 69	22	14
DH 1011 72	7	28
DH 1011 95	10	6
DH 1011 97	2	15
DH 1012 03	13	13
DH 1012 35	5	8
DH 1012 35	16	9
DH 1012 46	14	13
DH 1012 72	10	1
DH 1012 75	2	18
DH 1012 93	6	17
DH 1013 19	19	9
DH 1013 33	20	9
DH 1013 36	11	8
DH 1013 73	12	7

## PART INDEX



Part No.	Figure No.	Page No.
DH 1013 81	19	27
DH 1013 82	10	28
DH 1013 85	5	28
DH 1013 89	14	28
DH 1013 90	21	14
DH 1013 92	11	4
DH 1013 93	7	11
DH 1013 94	10	11
DH 1014 12	7	4
DH 1014 14	7	5
DH 1014 32	4	7
DH 1014 87	10	12
DH 1014 93	4	10
DH 1014 96	9	10
DH 1015 03	8	11
DH 1015 08	4	2
DH 1015 44	16	16
DH 1015 81	4	28
DH 1016 07	3	23
DH 1016 08	2	23
DH 1016 48	15	19
DH 1016 61	16	14
DH 1017 05	1	11
DH 1017 14	2	11
DH 1018 96	5	12
DH 1110 12	9	2
DH 1110 15	9	26
DH 1110 16	17	27
DH 1110 81	1	26
DH 1110 83	2	26
DH 1210 10	3	25
DH 1210 11	14	15
DH 1210 12	15	15
DH 1210 20	3	22
DH 1210 35	5	25
DH 1210 38	7	2
DH 1210 63	17	20
DH 1211 01	10	20
DH 1410 20	6	51
DH 1410 23	5	55
DH 1410 24	14	54
DH 1410 31	2	55
DH 1610 46	3	24
DH 1610 53	4	32
DH 1610 66	7	35

Part No.	Figure No.	Page No.
DH 1611 00	7	32
DH 1611 12	2	30
DH 1611 21	4	35
DH 1611 45	5	35
DH 1611 46	8	35
DH 1611 89	2	29
DH 1611 90	3	29
DH 1611 94	5	32
DH 1612 73	9	29
DH 1612 93	2	63
DH 1710 19	8	31
DH 1710 19	8	37
DH 1710 19	8	40
DH 1810 22	16	47
DH 1810 40	17	47
DH 1810 52	10	59
DH 1910 07	13	46
DH 1910 08	14	46
DH 1910 17	24	47
DH 1910 19	15	46
DH 2010 19	8	64
DH 7303 4K	4	50
DH 7303 4L	4	50
DH 7303 4M	4	50
DH 7303 5C	4	50
DH 7308 2V	4	50
DH 7401 2V	5	53
DH 7401 4K	5	53
DH 7401 4L	5	53
DH 7401 4M	5	53
DH 7401 5C	5	53
DJ 1010 63	24	9
DJ 1010 64	4	23
DJ 1011 33	6	7
DJ 1012 78	13	28
DJ 1013 00	25	9
DJ 1013 02	4	12
DJ 1210 70	11	20
DJ 1410 06	12	54
DJ 1410 08	6	55
DJ 1510 73	8	39
DJ 1510 88	10	40
DJ 1610 67	15	26
DJ 1610 69	8	34
DJ 1610 69	14	51

## PART INDEX



Part No.	Figure No.	Page No.
DJ 1610 72	8	63
DJ 1610 79	8	67
DJ 1610 80	9	67
DJ 1611 22	9	33
DJ 1611 24	12	35
DJ 1611 26	1	32
DJ 1611 27	3	32
DJ 1611 28	3	33
DJ 1611 29	4	33
DJ 1611 32	8	30
DJ 1611 33	9	30
DJ 1612 28	7	17
DJ 1612 29	12	61
DJ 1612 47	10	64
DJ 1710 34	16	31
DJ 1810 11	16	47
DJ 1810 33	3	59
DJ 1810 65	12	59
DJ 1810 65	13	64
DJ 1811 20	2	59
DJ 1910 06	3	38
DJ 1910 09	8	46
DJ 1910 28	7	38
DJ 1910 29	8	38
DJ 1910 30	9	38
DJ 1910 32	11	38
DJ 1910 55	9	46
DJ 2010 03	17	62
DJ 2010 04	18	62
DJ 2011 06	11	35
DJ 2011 09	12	38
DJ 2011 25	9	64
DJ 2011 40	15	65
DJ 2011 40	23	14
DJ 2011 59	2	56
DJ 2011 76	1A	59
DJ 2011 82	3	56
DJ 2011 95	20	47
DJ 2012 02	12	26
DJ 2012 06	3	60
DJ 2012 07	4	60
DJ 2012 08	1	60
DJ 2012 09	2	60
DJ 2012 30	16	59
DJ 2210 12	1	66

Part No.	Figure No.	Page No.
DJ 2210 13	1	66
DK 1510 64	9A	44
DK 1010 03	3	2
DK 1010 63	1	5
DK 1010 64	10	4
DK 1010 65	1	6
DK 1010 72	13	19
DK 1010 92	3	5
DK 1010 94	3	13
DK 1010 97	6	13
DK 1011 02	6	8
DK 1011 03	3	8
DK 1011 05	12	8
DK 1011 06	14	8
DK 1011 18	17	9
DK 1011 26	14	19
DK 1011 35	10	10
DK 1011 44	10	8
DK 1011 59	1	10
DK 1011 60	2	10
DK 1011 76	6	28
DK 1011 77	11	11
DK 1011 80	12	11
DK 1011 82	4	11
DK 1011 84	2	45
DK 1011 85	5	45
DK 1011 86	4	45
DK 1011 87	6	45
DK 1012 25	2	21
DK 1012 37	10	21
DK 1012 41	13	6
DK 1012 45	21	9
DK 1012 51	6	15
DK 1012 52	11	15
DK 1012 53	9	11
DK 1012 79	16	21
DK 101248	7	6
DK 1013 26	6	3
DK 1013 27	7	3
DK 1013 28	4	5
DK 1013 30	5	4
DK 1013 40	3	21
DK 1013 52	22	9
DK 1013 61	8	10
DK 1013 66	9	21

## PART INDEX



Part No.	Figure No.	Page No.
DK 1013 80	18	14
DK 1013 82	5	10
DK 1013 86	9	4
DK 1014 16	1	7
DK 1014 69	19	16
DK 1014 71	1	8
DK 1014 75	5	23
DK 1014 80	13	15
DK 1014 82	1	23
DK 1015 03	14	2
DK 1015 60	1	18
DK 1015 63	3	18
DK 1015 64	4	18
DK 1015 65	7	18
DK 1015 66	6	18
DK 1015 67	6	18
DK 1015 68	6	18
DK 1015 69	5	18
DK 1015 70	18	19
DK 1015 71	19	19
DK 1015 72	8	18
DK 1015 73	12	18
DK 1015 74	10	18
DK 1015 77	26	14
DK 1015 81	1	13
DK 1015 92	8	5
DK 1015 95	1	28
DK 1015 96	15	28
DK 1016 05	2	28
DK 1016 07	1	1
DK 1016 07	1	2
DK 1016 10	7	23
DK 1016 13	1	12
DK 1016 14	2	4
DK 1016 25	6	5
DK 1016 30	6	21
DK 1016 31	7	21
DK 1016 32	7	8
DK 1016 33	18	9
DK 1016 34	1	21
DK 1016 35	13	21
DK 1016 36	16	19
DK 1017 38	18	16
DK 1110 16	A	27
DK 1110 21	B	27

Part No.	Figure No.	Page No.
DK 1110 28	5	26
DK 1110 40	7	22
DK 1110 72	11	26
DK 1210 08	9	22
DK 1210 09	2	22
DK 1210 15	8	22
DK 1210 22	10	22
DK 1210 38	1	22
DK 1210 39	11	22
DK 1210 41	3	20
DK 1210 42	4	20
DK 1210 43	5	20
DK 1210 44	6	20
DK 1210 45	7	20
DK 1210 47	13	20
DK 1210 48	14	20
DK 1210 51	18	20
DK 1210 84	18	27
DK 1410 01	4	54
DK 1410 14	1	54
DK 1410 15	11	51
DK 1510 08	14	37
DK 1510 09	7	40
DK 1510 12	16	41
DK 1510 13	12	40
DK 1510 15	13	40
DK 1510 17	17	41
DK 1510 22	5	40
DK 1510 23	6	42
DK 1510 24	1	40
DK 1510 26	5	36
DK 1510 27	7	37
DK 1510 28	3	37
DK 1510 31	1	43
DK 1510 32	2	42
DK 1510 33	3	42
DK 1510 34	4	42
DK 1510 36	22	41
DK 1510 38	12	42
DK 1510 39	2	36
DK 1510 40	4	36
DK 1510 41	8	44
DK 1510 42	5	43
DK 1510 43	4	43
DK 1510 45	8	42

## PART INDEX



Part No.	Figure No.	Page No.
DK 1510 50	3	36
DK 1510 54	1	39
DK 1510 57	2	38
DK 1510 59	1	42
DK 1510 59	1	44
DK 1510 63	9	42
DK 1510 65	10	44
DK 1510 66	12	44
DK 1510 67	11	44
DK 1510 68	2	44
DK 1510 69	10	42
DK 1510 70	2	44
DK 1510 71	2	44
DK 1510 72	14	38
DK 1510 73	2	43
DK 1510 74	2A	43
DK 1510 76	6	43
DK 1510 77	7	43
DK 1510 81	17A	41
DK 1510 82	17B	41
DK 1510 85	15	42
DK 1510 88	16	44
DK 1510 89	17	44
DK 1510 90	18	44
DK 151078	3	43
DK 1610 69	3	59
DK 1610 70	6	61
Dk 1610 71	7	61
DK 1610 72	8	61
DK 1610 73	10	61
DK 1610 77	15	61
DK 1610 78	1	61
DK 1610 81	3	61
DK 1610 81	4	21
DK 1610 82	4	61
DK 1610 85	6	34
DK 1610 86	3	34
DK 1610 96	1	29
DK 1610 98	1	34
DK 1611 22	1	35
DK 1611 23	8	51
DK 1611 24	9	51
DK 1611 25	24	62
DK 1611 26	5	61
DK 1611 37	1	33

Part No.	Figure No.	Page No.
DK 1611 38	2	33
DK 1611 47	5	67
DK 1611 48	6	67
DK 1611 52	23	62
DK 1611 53	3	63
DK 1611 59	5	29
DK 1611 60	6	29
DK 1611 61	12	29
DK 1611 64	15	63
DK 1611 76	3	67
DK 1611 76	14	61
DK 1611 85	1	55
DK 1611 86	14	21
DK 1611 87	15	21
DK 1611 88	11	21
DK 1611 89	12	21
DK 1612 08	7	59
DK 1612 10	17	51
DK 1612 10	21	62
DK 1612 17	5	67
DK 1612 18	6	67
DK 1612 22	16	29
DK 1612 23	17	29
DK 1612 50	1	58
DK 1612 55	13	51
DK 1612 57	13	51
DK 1612 59	18	21
DK 1612 60	18	21
DK 1612 63	18	21
DK 1612 64	18	21
DK 1710 03	9	31
DK 1710 06	6	31
DK 1710 11	4	31
DK 1710 14	1	31
DK 1810 06	6	48
DK 1810 07	5	48
DK 1810 08	24	49
DK 1810 09	28	49
DK 1810 10	7	48
DK 1810 11	9	48
DK 1810 13	26	49
DK 1810 17	25	49
DK 1810 18	16	49
DK 1810 19	2	48
DK 1810 22	11	48

## PART INDEX

*pulsar* ATS-I  
220

Part No.	Figure No.	Page No.
DK 1810 23	12	48
DK 1810 24	22	49
DK 1810 25	23	49
DK 1810 30	1	46
DK 1810 32	3	46
DK 1810 34	27	47
DK 1810 36	21	47
DK 1810 37	15A	48
DK 1810 39	4	46
DK 1810 46	22	47
DK 1810 47	23	47
DK 1810 48	15	48
DK 1810 50	6	30
DK 1810 51	10	30
DK 1810 56	3	48
DK 1810 57	4	48
DK 1810 60	4	46
DK 1810 62	3	46
DK 1810 63	1	46
DK 1810 70	8	48
DK 1810 71	14	48
DK 1810 72	1	48
DK 1810 73	10	48
DK 1810 74	18	51
DK 1810 75	3	30
DK 1810 76	4	30
DK 1811 02	29	49
DK 1910 12	1	45
DK 1910 13	7	45
DK 1910 14	7	64
DK 2010 01	12	26
DK 2010 03	1	63
DK 2010 14	25	47
DK 2010 15	18	47
DK 2010 37	1	64
DK 2010 38	2	64
DK 2010 39	28	47
DK 2010 43	15	59
DK 2010 44	9	59
DK 2010 56	1	59
DK 2010 65	9	54
DK 2010 70	6	46
DK 2010 71	7	46
DK 2010 76	2	46
DK 2010 78	12	64

Part No.	Figure No.	Page No.
DK 2010 83	20	47
DK 2010 98	3	57
DK 2010 98	15	37
DK 2011 14	1	64
DK 2011 15	2	64
DK 2011 17	16	59
DK 2110 01	1	24
DK 2110 04	4	24
DK 2110 08	5	24
DK 2210 01	19	62
DK 2210 11	1	66
DK 2210 14	17	62
DK 2210 15	18	62
DK 2210 15	26	47
DK 2210 22	25	47
DK 2210 23	26	47
DK 2210 24	2	66
DK 7103 2V	1	50
DK 7103 4K	1	50
DK 7103 4L	1	50
DK 7103 4M	1	50
DK 7103 5C	1	50
DK 7105 2V	1	52
DK 7105 4K	1	52
DK 7105 4L	1	52
DK 7105 4M	1	52
DK 7105 5C	1	52
DK 7304 2V	4	52
DK 7304 4K	4	52
DK 7304 4L	4	52
DK 7304 4M	4	52
DK 7401 2V	7	51
DK 7401 4K	7	51
DK 7401 4L	7	51
DK 7401 4M	7	51
DK 7401 5C	7	51
DK 7403 2V	5	50
DK 7403 4K	5	50
DK 7403 4L	5	50
DK 7403 4M	5	50
DK 9026 27	6	23
DK1510 83	13	42
DL 1810 10	6	59
DL 1910 14	10	46
DP 1611 44	12	63

Part No.	Figure No.	Page No.
DP 1611 45	9	63
DS 1010 71	20	16
DS 1010 84	7	1
DS 1010 96	5	1
DS 1011 54	5	6
DS 1011 66	4	1
DS 1012 15	8	15
DS 1012 76	6	4
DS 1013 33	3	3
DS 1013 35	1	3
DS 1013 36	2	3
DS 1013 53	9	15
DS 1013 53	21	27
DS 1013 66	8	3
DS 1510 73	15	40
DS 1510 74	14	40
DS 1611 25	7	34
DS 1611 25	12	51
DS 1612 24	2	58
DS 1810 26	13	63
DS 2110 05	2	24
DV 1010 42	2	17
DV 1010 48	23	9
DX 1610 67	6	32
GH 2010 12	5	60
JB 4022 02	17	21
JC 1010 29	2	12
JC 1010 33	5	17
JC 1010 34	12	4
JC 1010 85	4	4
JC 1010 86	3	4
JC 1011 12	3	28
JC 1011 15	8	28
JC 1110 07	20	27
JC 1110 10	C	27
JC 1110 22	7	26
JC 1110 23	8	26
JC 1110 26	1	26
JC 1110 28	2	26
JC 1200 17	12	2
JC 1200 18	6	2
JC 1200 24	1	20
JC 1410 34	5	54
JC 1410 39	16	51
JC 1410 40	16	51

Part No.	Figure No.	Page No.
JC 1410 49	15	51
JC 1410 53	15	51
JC 1510 13	1	36
JC 1510 16	11	40
JC 1510 20	11	37
JC 1610 17	6	35
JC 1610 26	13	63
JC 1610 49	1	30
JC 1610 50	1	30
JC 1810 22	19	49
JC 1810 23	18	49
JC 1810 24	20	49
JC 1810 29	27	47
JC 1910 04	2	57
JC 1910 14	1	56
JC 1910 18	1	56
JC 1910 19	1	57
JC 2010 09	15	59
JC 2010 16	17	65
JC 2010 17	6	46
JC 2010 18	7	46
JC 2010 27	14	65
JC 2010 37	5	64
JC 2010 40	17	65
JC 2010 41	5	64
JC 2010 45	18	47
JC 2010 46	5	57
JC 2010 50	12	37
JC 7201 2V	2	52
JC 7201 4K	2	52
JC 7201 4L	2	52
JC 7201 4M	2	52
JC 7201 5C	2	52
JC 7202 2V	3	52
JC 7202 4K	3	52
JC 7202 4L	3	52
JC 7202 4M	3	52
JC 7202 5C	3	52
JD 4018 06	18	65
JE 5412 12	9	17
JH 1814 06	4	56
JM 1710 03	11	31
JM 1710 04	12	31
JN 1814 06	22	62
JW 4010 11	7	63

Part No.	Figure No.	Page No.
KE BA37 15	28	14
Not Serviceable	4	44
Not Serviceable	5	44
Not Serviceable	6	44
Not Serviceable	7	44
Not Serviceable	9	44
Not Serviceable	13	44
Not Serviceable	14	44
Not Serviceable	15	44
Not Serviceable	9B	44
Not Serviceable	3	44
Not Serviceable	6	36

Part No.	Figure No.	Page No.

Part No.	Figure No.	Page No.

Part No.	Figure No.	Page No.